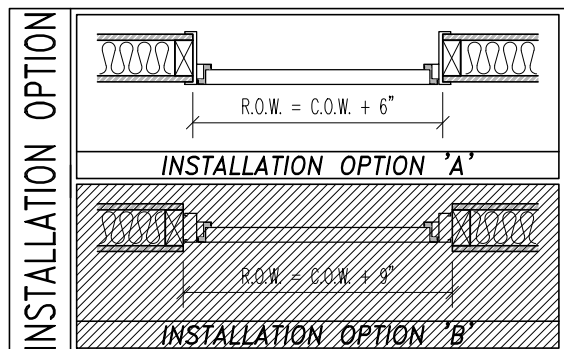
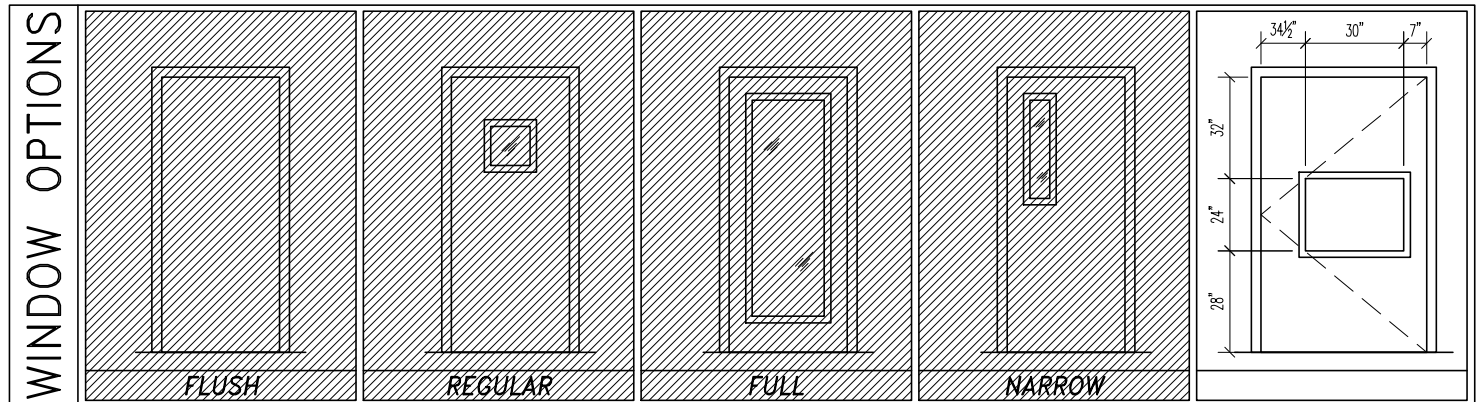
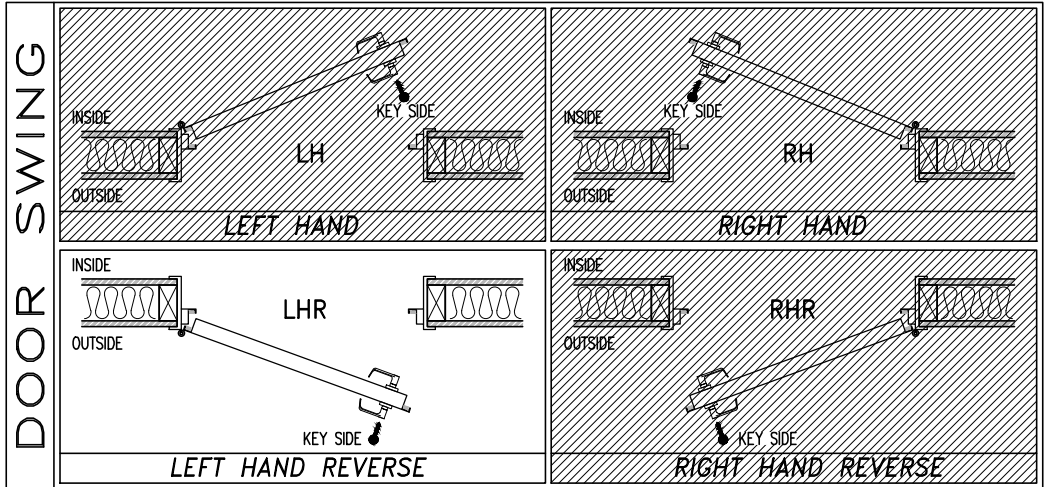
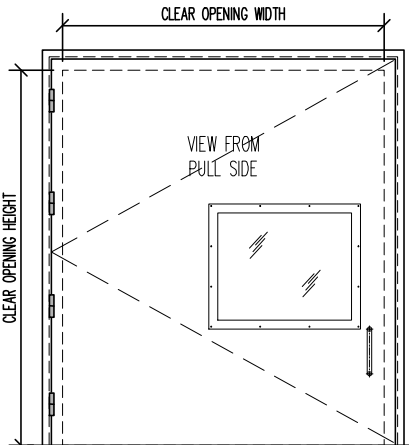


PROJECT NAME: STOCK DOORS CUSTOMER: _____

APPLICATION: INTERIOR EXTERIOR FINISH: PRIME PAINT (STD. GREY) NB JOB #: _____

SINGLE-LEAF DOOR SPECIFICATIONS

DOOR No.	DOOR SWING	WINDOW OPTION	INSTALLATION OPTION	CLEAR OPENING WIDTH	CLEAR OPENING HEIGHT	ROUGH OPENING WIDTH	ROUGH OPENING HEIGHT	THROAT DIMENSION
1	LHR	CUSTOM	A	71.50"	84.00"	77.50"	87.375"	N/A



HARDWARE SCHEDULE

HINGES	MFG. STANDARD CAM-LIFT HINGES (QTY. (4) PER LEAF / FINISH: US320)	QTY. 4
HINGE DAMPER	SEALTIGHT BACKER PAD	QTY. 4
PUSH/PULL HANDLE	HAGER 14J PUSH/PULL HANDLE (MOUNTED BACK-TO-BACK / FINISH: US320)	1 pair
DOOR BOTTOM	MFG. STANDARD TEFLON COATED COMPRESSION SEAL	QTY. 1
HD/JMB/SEALS	MFG. STANDARD DOUBLE NEOPRENE COMPRESSION SEALS	as req'd
GLASS (PULL SIDE)	31.5" x 25.5" x .375" LAMINATED SAFETY GLASS	QTY. 1
GLASS (PUSH SIDE)	31.5" x 25.5" x .500" LAMINATED SAFETY GLASS	QTY. 1

NOTES: 1.) SEE SHEET 'DS-2' FOR DOOR INSTALLATION DETAILS 2.) ENTIRE DOOR & FRAME CONSTRUCTION IS 304-2B STAINLESS STEEL 3.) NO MALE FRAME REQUIRED 4.) NO EXPOSED SEAMS ON FACE OF DOOR LEAF

STC-50
SINGLE-LEAF DOOR
SPECIFICATIONS

PROJECT: STOCK DOORS		TYPE:	
SUBMITTED BY:	DATE:	ISSUE:	
APPROVED BY:	DATE:	PROJECT No.:	
PROJ. MGR.	SHEET: DS-1		

Noise Barriers, LLC
2001 Kelley Court
Libertyville, IL 60048
Phone: (847) 843-0500
Fax: (847) 843-0501
www.noisebarriers.com