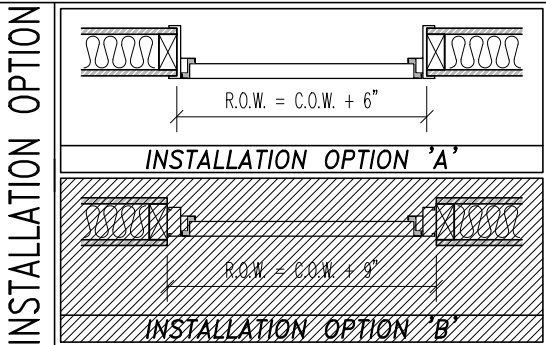
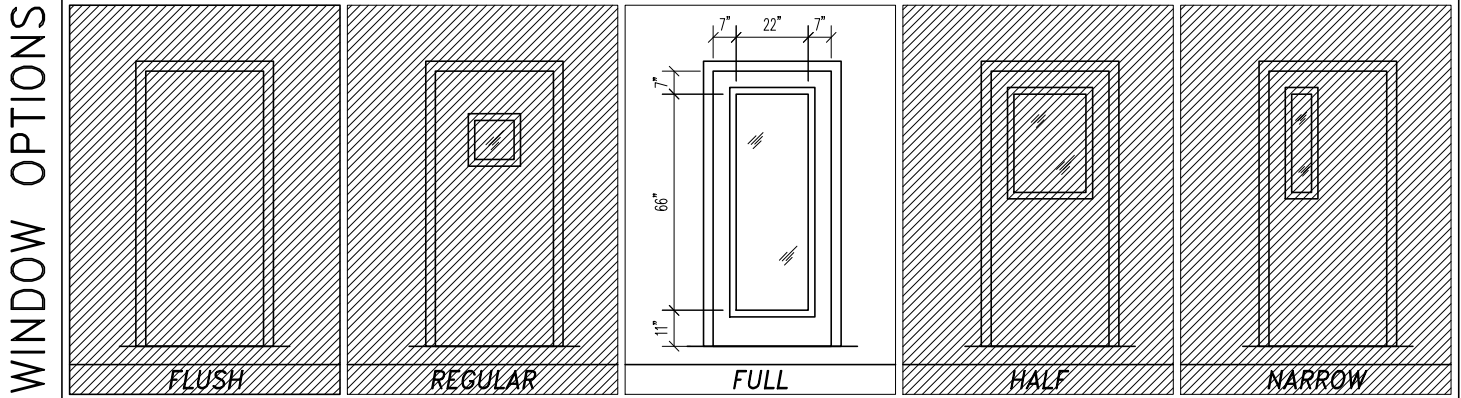
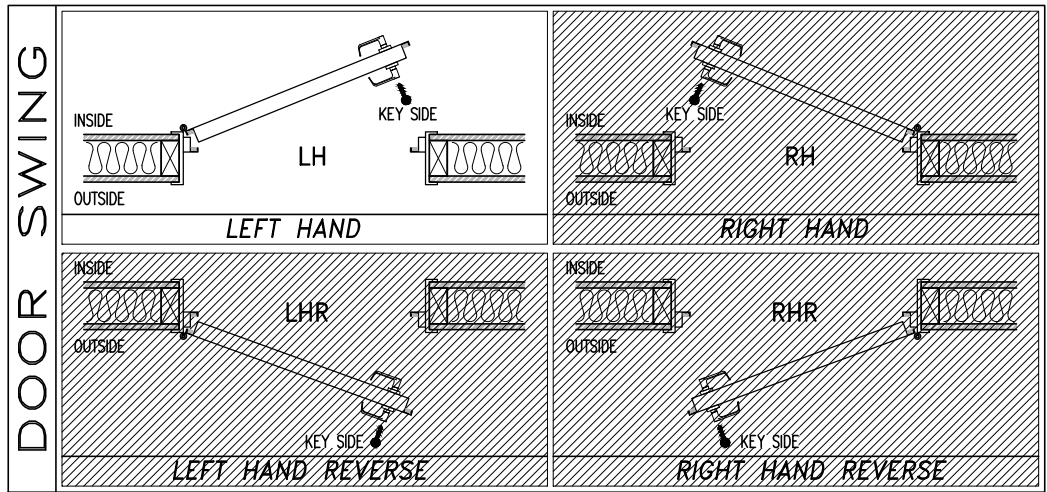
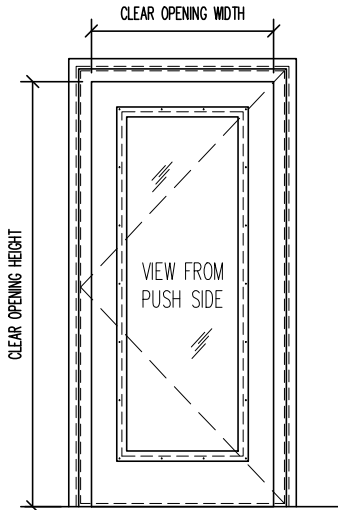


PROJECT NAME: STOCK DOORS CUSTOMER: _____

APPLICATION: INTERIOR EXTERIOR FINISH: PRIME PAINT (STD. GREY) NB JOB #: _____

SINGLE-LEAF DOOR SPECIFICATIONS

DOOR No.	DOOR SWING	WINDOW OPTION	INSTALLATION OPTION	CLEAR OPENING WIDTH	CLEAR OPENING HEIGHT	ROUGH OPENING WIDTH	ROUGH OPENING HEIGHT	THROAT DIMENSION
SD-1	LH	FULL	A	36.00	84.00"	42.00"	87.25"	7.25"



HARDWARE SCHEDULE		
HINGES	MFG. STANDARD CAM-LIFT HINGES (QTY. (2) PER LEAF / FINISH: US320)	QTY. 2
DOOR BOTTOM	MFG. STANDARD TEFLON COATED COMPRESSION SEAL	QTY. 1
HD/JMB/SEALS	MFG. STANDARD DOUBLE MAGNETIC SEALS	as req'd
THRESHOLD	ONE-PIECE 1/4" ALUMINUM SILL PLATE	QTY. 1
GLASS (PULL SIDE)	23.500" x 67.500" x .500" LAMINATED SAFETY GLASS	QTY. 1
GLASS (PUSH SIDE)	23.500" x 67.500" x .375" LAMINATED SAFETY GLASS	QTY. 1

NOTES: 1.) SEE SHEET 'DS-2' FOR DOOR INSTALLATION DETAILS

<h3>STC-50 SINGLE-LEAF DOOR SPECIFICATIONS</h3>	PROJECT: STOCK DOORS	TYPE:	<p>Noise Barriers, LLC 2001 Kelley Court Libertyville, IL 60048 Phone: (847) 843-0500 Fax: (847) 843-0501 www.noisebarriers.com</p>	
	SUBMITTED BY:	DATE:		ISSUE:
	APPROVED BY:	DATE:		PROJECT No.:
	PROJ. MGR.	SHEET: DS-X		