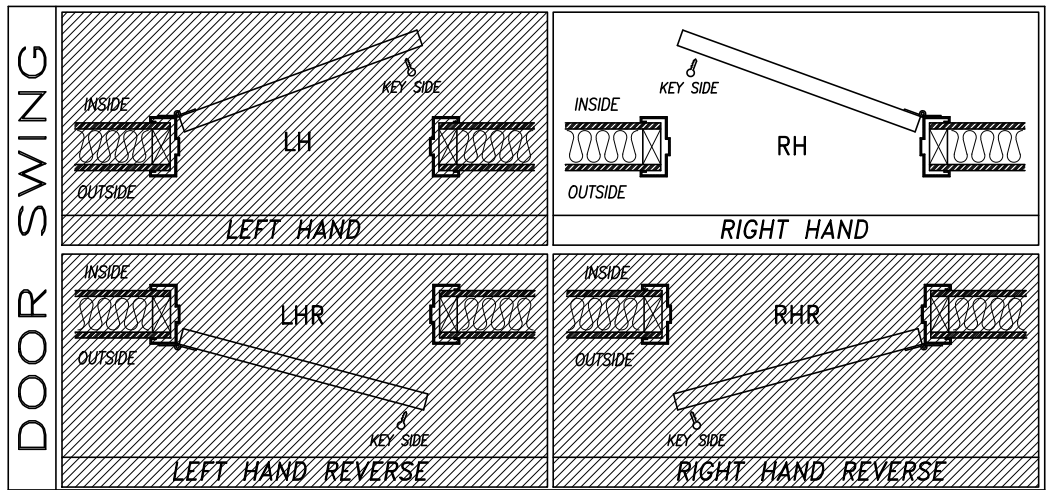
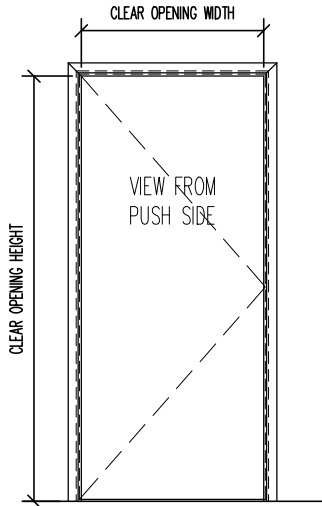


PROJECT NAME: STOCK DOORS CUSTOMER: \_\_\_\_\_

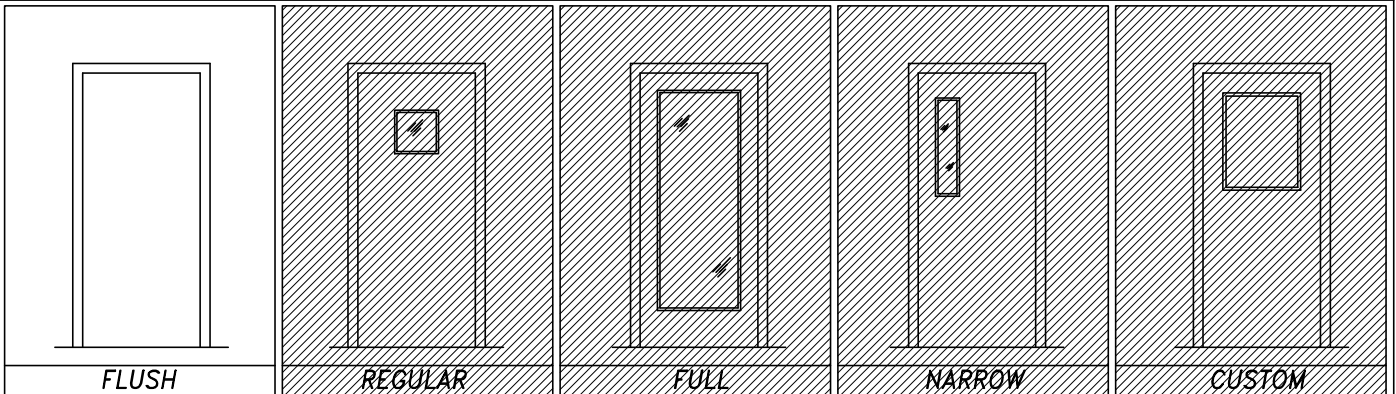
APPLICATION:  INTERIOR  EXTERIOR FINISH: PRIME PAINT (STD. GREY) NB JOB #: \_\_\_\_\_

## HOLLOW-METAL SL-DOOR SPECIFICATIONS

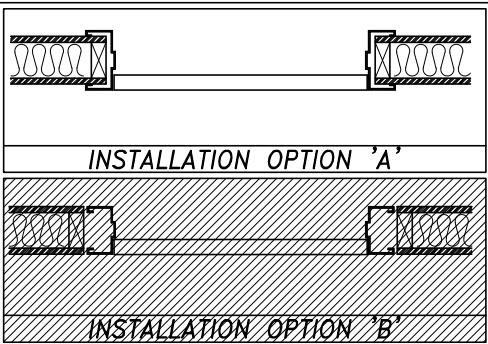
DOOR No.	DOOR SWING	WINDOW OPTION	INSTALLATION OPTION	CLEAR OPENING WIDTH	CLEAR OPENING HEIGHT	ROUGH OPENING WIDTH	ROUGH OPENING HEIGHT	WALL THICKNESS
SD-2	RH	FLUSH	A	36.00"	84.00"	38.00"	85.00"	4.00"



**WINDOW OPTIONS**



**INSTALLATION OPTION**



### HARDWARE SCHEDULE

HINGES	MFG. STANDARD LEVEL-SWING BUTT HINGES (QTY. (2) PER LEAF / FINISH: US320)	QTY. 3

NOTES: 1.) SEE SHEET 'DS-X' FOR INSTALLATION DETAILS 2.) SUPPLY DOOR FRAME AS ONE-PIECE WELDED FRAME

**HOLLOW-METAL  
SINGLE-LEAF DOOR  
SPECIFICATIONS**

PROJECT:	STOCK DOORS	TYPE:
SUBMITTED BY:	DATE:	ISSUE:
APPROVED BY:	DATE:	PROJECT No.:
PROJ. MGR.	SHEET: DS-X	

**Noise Barriers, LLC**  
 2001 Kelley Court  
 Libertyville, IL 60048  
 Phone: (847) 843-0500  
 Fax: (847) 843-0501  
 www.noisebarriers.com