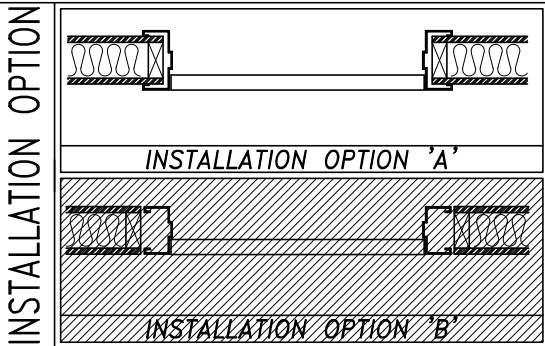
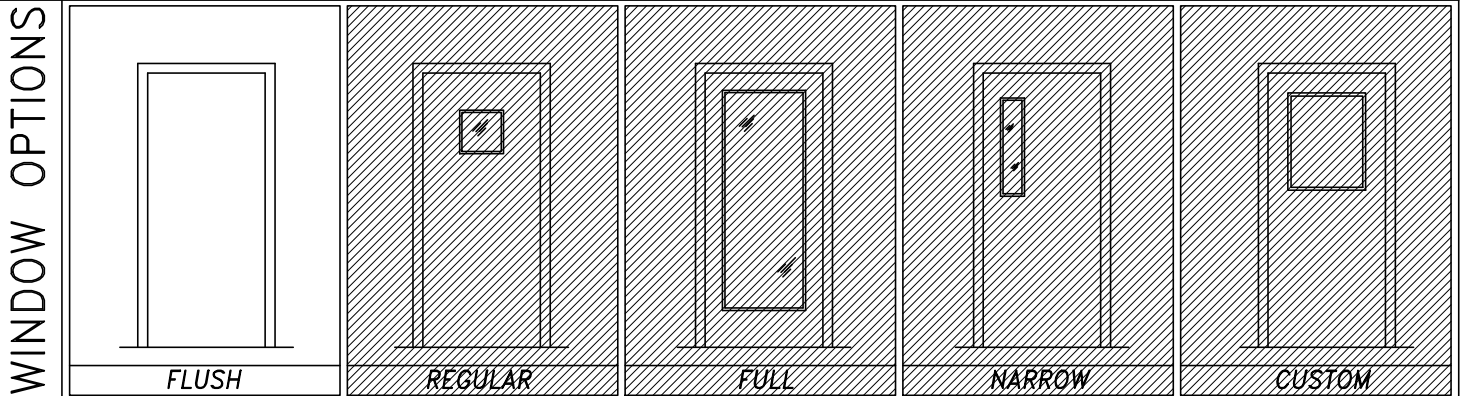
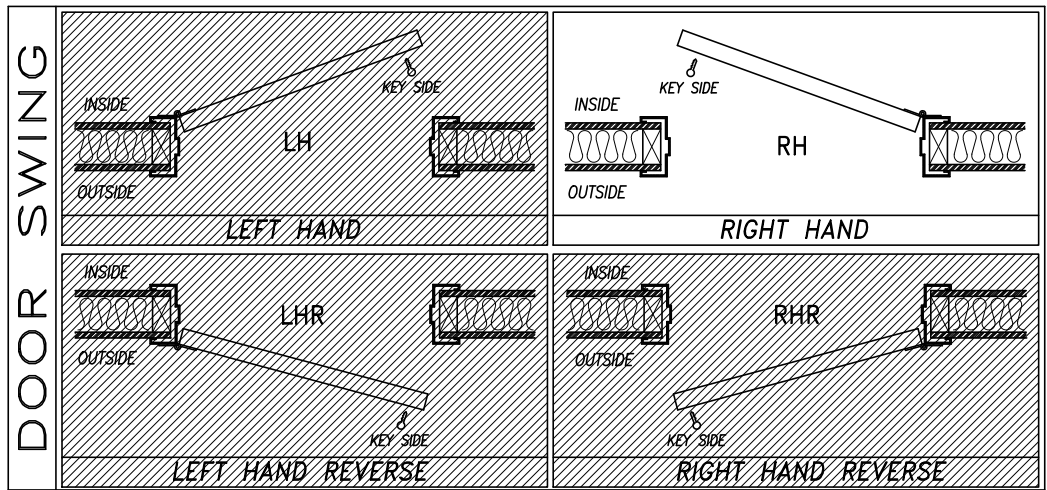
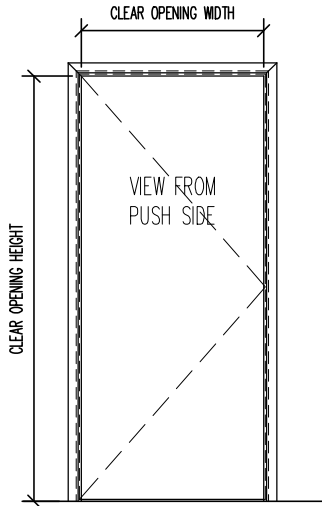


PROJECT NAME: STOCK DOORS CUSTOMER: _____

APPLICATION: INTERIOR EXTERIOR FINISH: PRIME PAINT (STD. GREY) NB JOB #: _____

HOLLOW-METAL SL-DOOR SPECIFICATIONS

DOOR No.	DOOR SWING	WINDOW OPTION	INSTALLATION OPTION	CLEAR OPENING WIDTH	CLEAR OPENING HEIGHT	ROUGH OPENING WIDTH	ROUGH OPENING HEIGHT	WALL THICKNESS
SD-1	RH	FLUSH	A	36.00"	84.00"	38.00"	85.00"	4.00"



HARDWARE SCHEDULE		
HINGES	MFG. STANDARD LEVEL-SWING BUTT HINGES (QTY. (2) PER LEAF / FINISH: US320)	QTY. 3

NOTES: 1.) SEE SHEET 'DS-X' FOR INSTALLATION DETAILS 2.) SUPPLY DOOR FRAME AS ONE-PIECE WELDED FRAME

HOLLOW-METAL SINGLE-LEAF DOOR SPECIFICATIONS

PROJECT: STOCK DOORS	TYPE:
SUBMITTED BY:	DATE:
APPROVED BY:	DATE:
PROJECT No.:	
PROJ. MGR.:	SHEET: DS-X

Noise Barriers, LLC
 2001 Kelley Court
 Libertyville, IL 60048
 Phone: (847) 843-0500
 Fax: (847) 843-0501
 www.noisebarriers.com