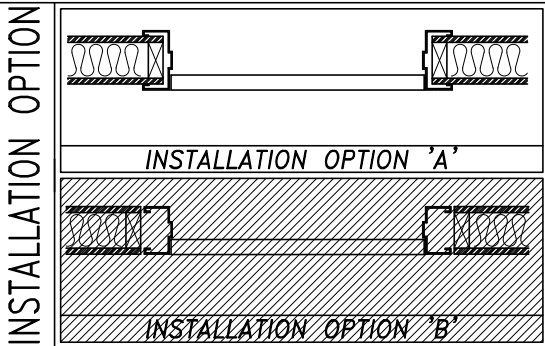
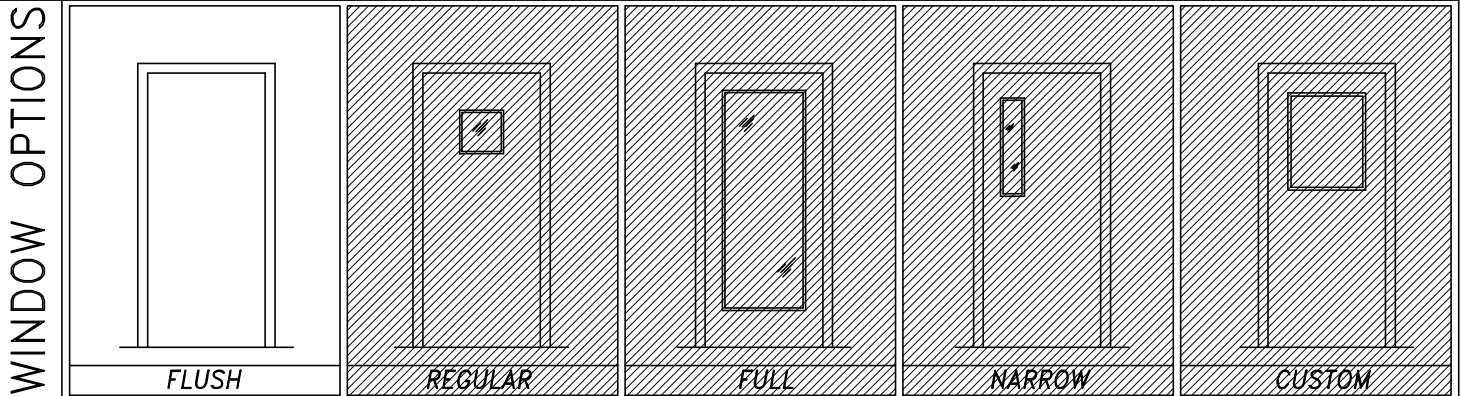
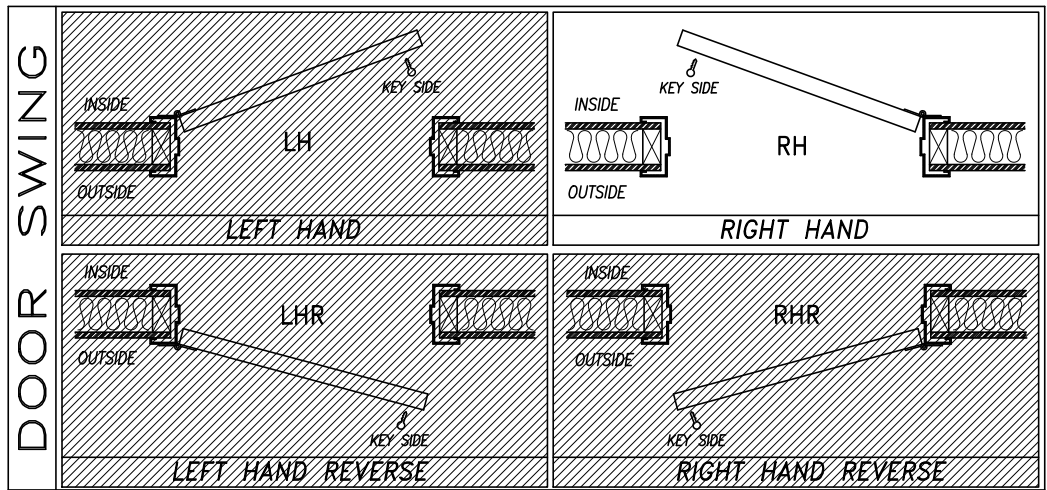
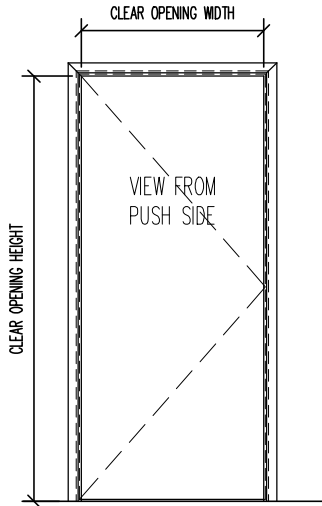


PROJECT NAME: STOCK DOORS CUSTOMER: \_\_\_\_\_

APPLICATION:  INTERIOR  EXTERIOR FINISH: PRIME PAINT (STD. GREY) NB JOB #: \_\_\_\_\_

## HOLLOW-METAL SL-DOOR SPECIFICATIONS

DOOR No.	DOOR SWING	WINDOW OPTION	INSTALLATION OPTION	CLEAR OPENING WIDTH	CLEAR OPENING HEIGHT	ROUGH OPENING WIDTH	ROUGH OPENING HEIGHT	WALL THICKNESS
SD-1	RH	FLUSH	A	36.00"	84.00"	38.00"	85.00"	4.00"



HARDWARE SCHEDULE		
HINGES	MFG. STANDARD LEVEL-SWING BUTT HINGES (QTY. (2) PER LEAF / FINISH: US320)	QTY. 3

NOTES: 1.) SEE SHEET 'DS-X' FOR INSTALLATION DETAILS 2.) SUPPLY DOOR FRAME AS ONE-PIECE WELDED FRAME

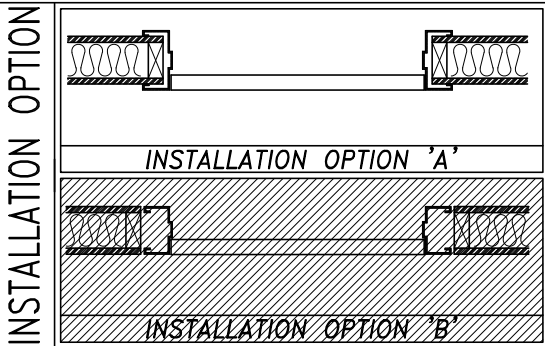
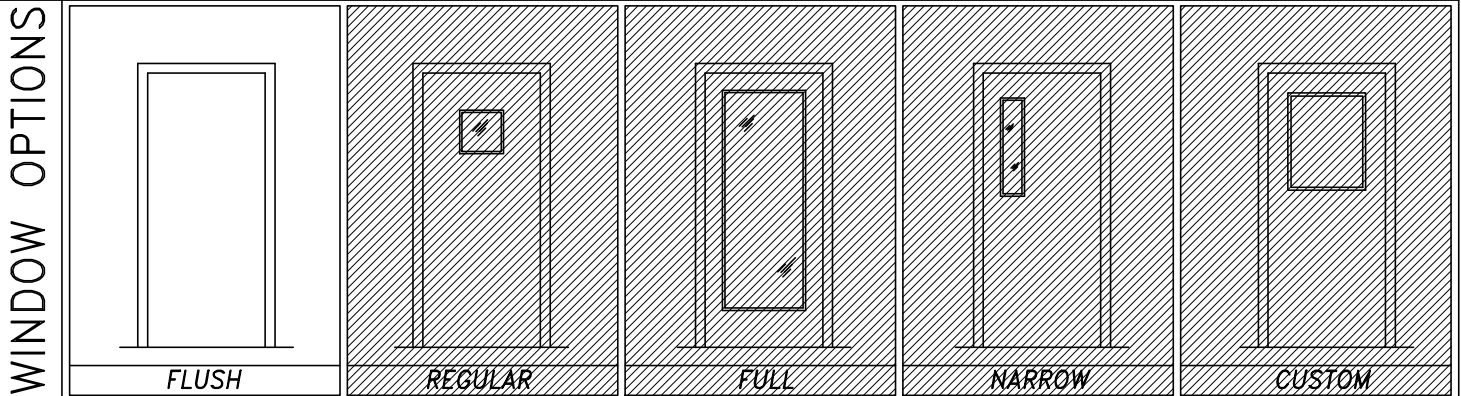
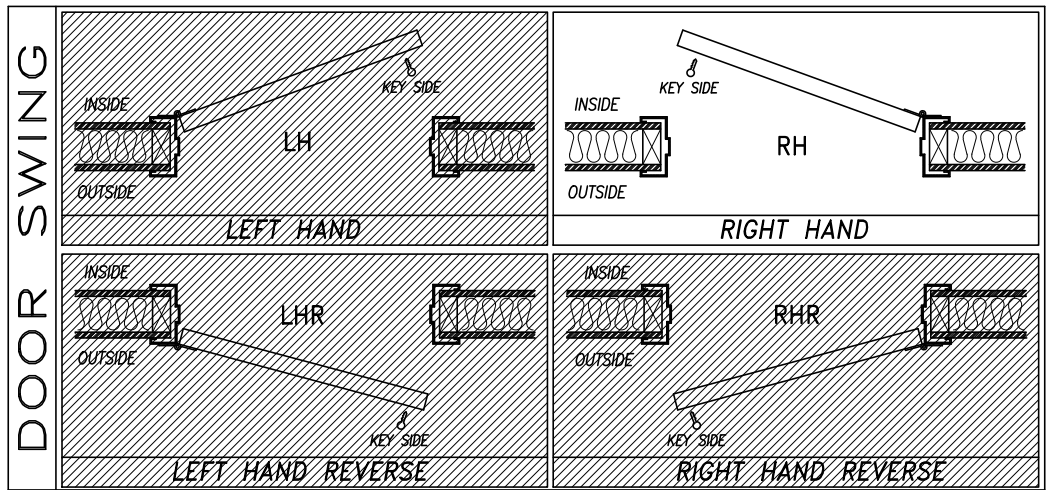
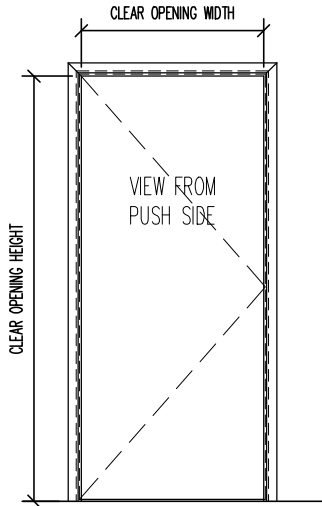
<b>HOLLOW-METAL SINGLE-LEAF DOOR SPECIFICATIONS</b>	PROJECT: <b>STOCK DOORS</b>	TYPE:	<b>Noise Barriers, LLC</b> 2001 Kelley Court Libertyville, IL 60048 Phone: (847) 843-0500 Fax: (847) 843-0501 www.noisebarriers.com	
	SUBMITTED BY:	DATE:		ISSUE:
	APPROVED BY:	DATE:		PROJECT No.:
	PROJ. MGR.	SHEET: <b>DS-X</b>		

PROJECT NAME: STOCK DOORS CUSTOMER: \_\_\_\_\_

APPLICATION:  INTERIOR  EXTERIOR FINISH: PRIME PAINT (STD. GREY) NB JOB #: \_\_\_\_\_

## HOLLOW-METAL SL-DOOR SPECIFICATIONS

DOOR No.	DOOR SWING	WINDOW OPTION	INSTALLATION OPTION	CLEAR OPENING WIDTH	CLEAR OPENING HEIGHT	ROUGH OPENING WIDTH	ROUGH OPENING HEIGHT	WALL THICKNESS
SD-2	RH	FLUSH	A	36.00"	84.00"	38.00"	85.00"	4.00"



HARDWARE SCHEDULE		
HINGES	MFG. STANDARD LEVEL-SWING BUTT HINGES (QTY. (2) PER LEAF / FINISH: US320)	QTY. 3

NOTES: 1.) SEE SHEET 'DS-X' FOR INSTALLATION DETAILS 2.) SUPPLY DOOR FRAME AS ONE-PIECE WELDED FRAME

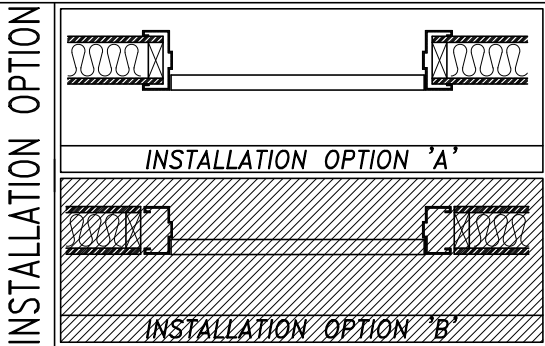
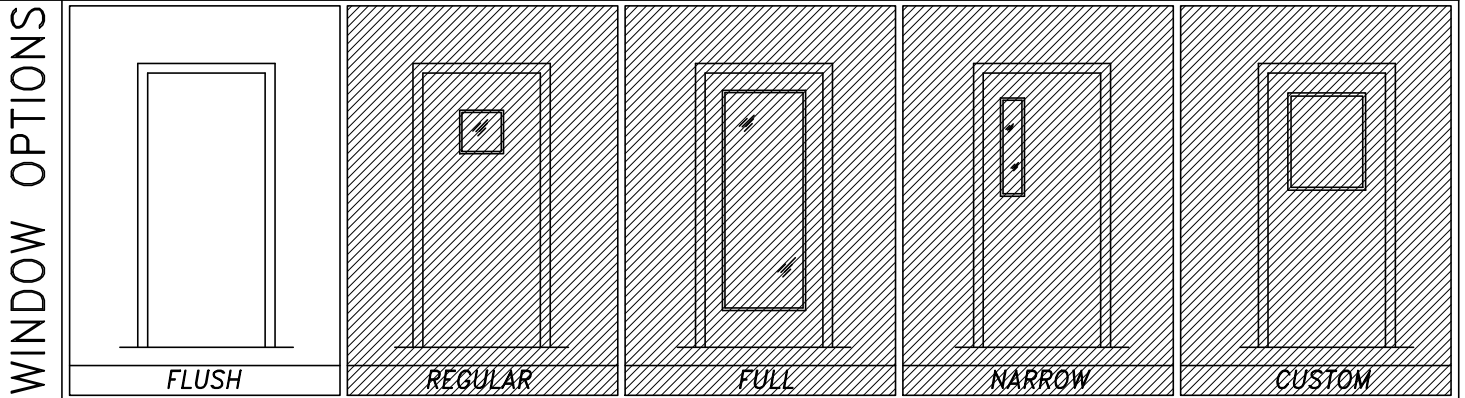
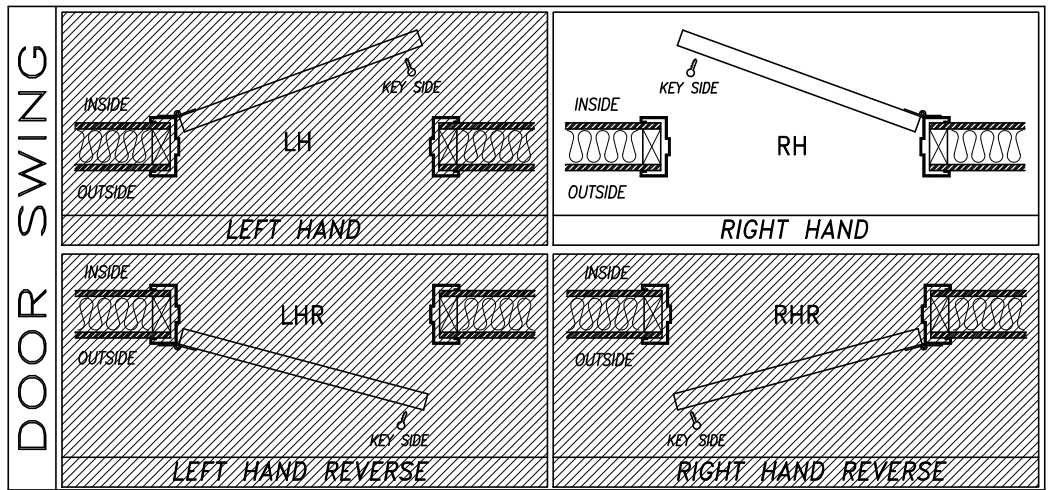
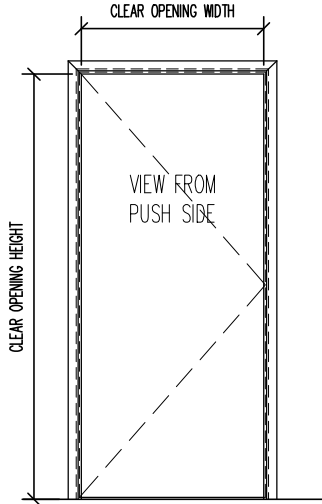
<b>HOLLOW-METAL SINGLE-LEAF DOOR SPECIFICATIONS</b>	PROJECT: <b>STOCK DOORS</b>	TYPE:	<b>Noise Barriers, LLC</b> 2001 Kelley Court Libertyville, IL 60048 Phone: (847) 843-0500 Fax: (847) 843-0501 www.noisebarriers.com	
	SUBMITTED BY:	DATE:		ISSUE:
	APPROVED BY:	DATE:		PROJECT No.:
	PROJ. MGR.	SHEET: <b>DS-X</b>		

PROJECT NAME: STOCK DOORS CUSTOMER: \_\_\_\_\_

APPLICATION:  INTERIOR  EXTERIOR FINISH: PRIME PAINT (STD. GREY) NB JOB #: \_\_\_\_\_

## HOLLOW-METAL SL-DOOR SPECIFICATIONS

DOOR No.	DOOR SWING	WINDOW OPTION	INSTALLATION OPTION	CLEAR OPENING WIDTH	CLEAR OPENING HEIGHT	ROUGH OPENING WIDTH	ROUGH OPENING HEIGHT	WALL THICKNESS
SD-3	RH	FLUSH	A	36.00"	84.00"	38.00"	85.00"	4.00"



HARDWARE SCHEDULE		
HINGES	MFG. STANDARD LEVEL-SWING BUTT HINGES (QTY. (2) PER LEAF / FINISH: US320)	QTY. 3

NOTES: 1.) SEE SHEET 'DS-X' FOR INSTALLATION DETAILS 2.) SUPPLY DOOR FRAME AS ONE-PIECE WELDED FRAME

**HOLLOW-METAL  
SINGLE-LEAF DOOR  
SPECIFICATIONS**

PROJECT:	STOCK DOORS	TYPE:
SUBMITTED BY:	DATE:	ISSUE:
APPROVED BY:	DATE:	PROJECT No.:
PROJ. MGR.	SHEET: DS-X	

**Noise Barriers, LLC**  
 2001 Kelley Court  
 Libertyville, IL 60048  
 Phone: (847) 843-0500  
 Fax: (847) 843-0501  
 www.noisebarriers.com