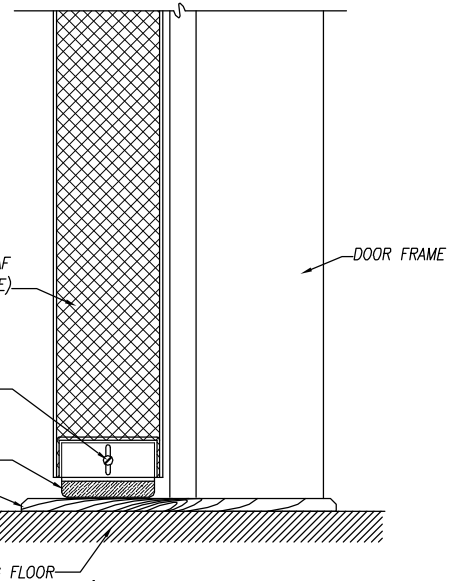
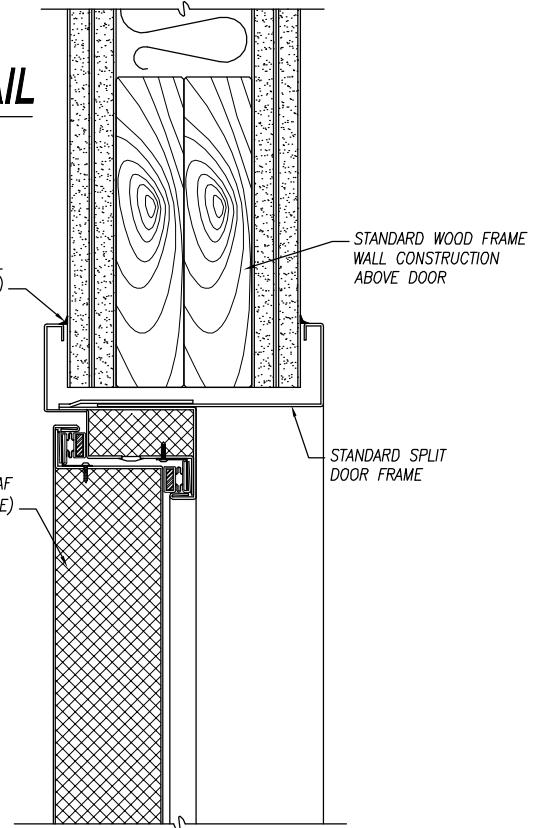
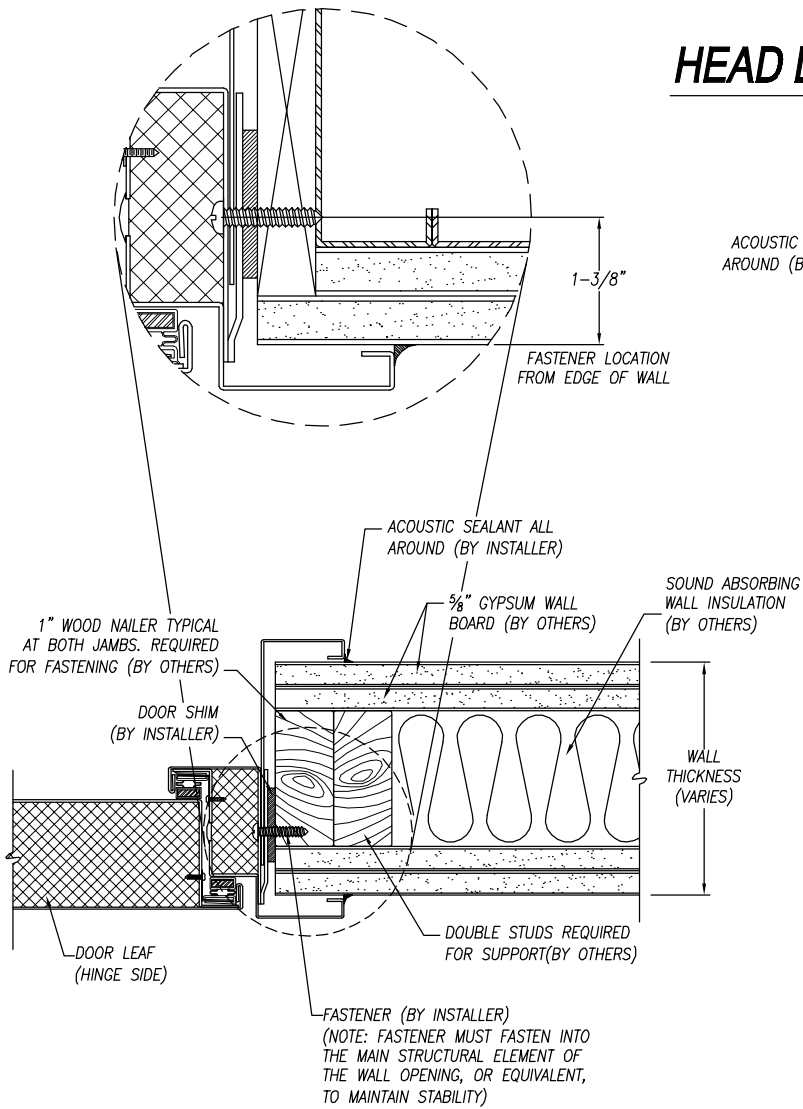


HEAD DETAIL



SILL DETAIL



JAMB DETAIL

WOOD FRAME WALL INSTALLATION REQUIREMENTS

| | | | |
|---------------|-------|--------------|--|
| PROJECT: | | TYPE: | |
| SUBMITTED BY: | DATE: | ISSUE: | |
| APPROVED BY: | DATE: | DRAWING No.: | |
| SHEET: | | | |

Noise Barriers, LLC
 2001 Kelley Court
 Libertyville, IL 60048
 Phone: 847-843-0500
 Fax: 847-843-0501
 www.noisebarriers.com