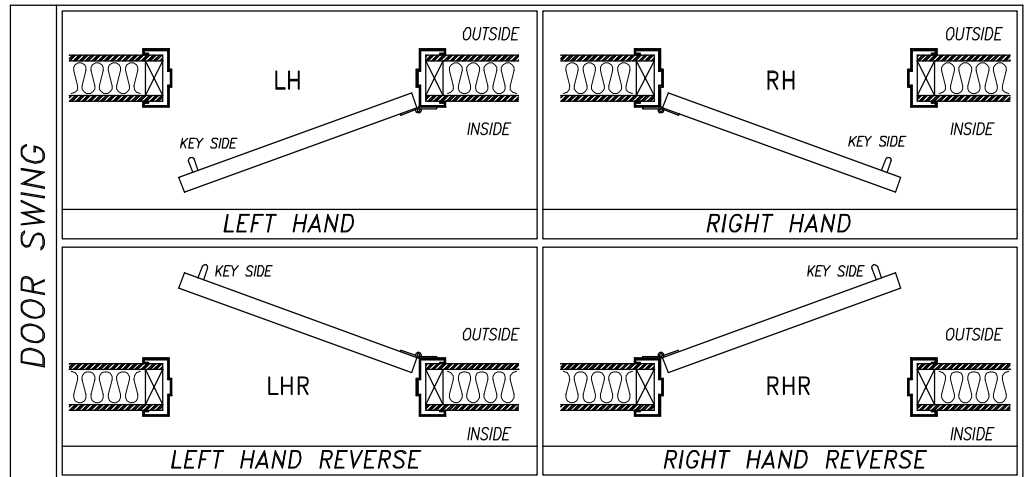
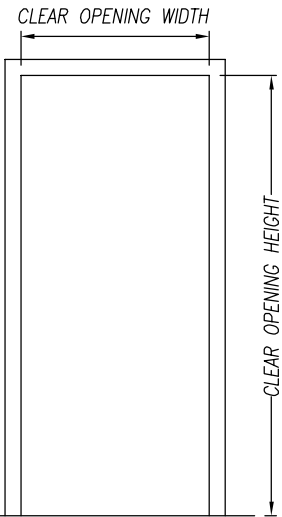


PROJECT NAME: _____ ARCHITECT: _____

APPLICATION: INTERIOR EXTERIOR FINISH: _____ SOUNDDOORS JOB #: _____

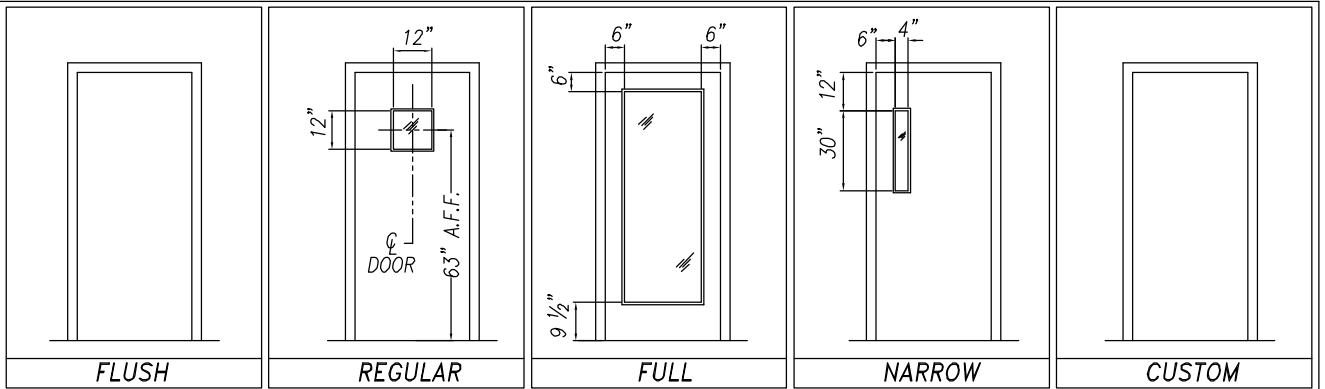
DOOR SPECIFICATIONS

DOOR No.	DOOR SWING	WINDOW OPTION	INSTALLATION OPTION	CLEAR OPENING WIDTH	CLEAR OPENING HEIGHT	ROUGH OPENING WIDTH	ROUGH OPENING HEIGHT	WALL THICKNESS

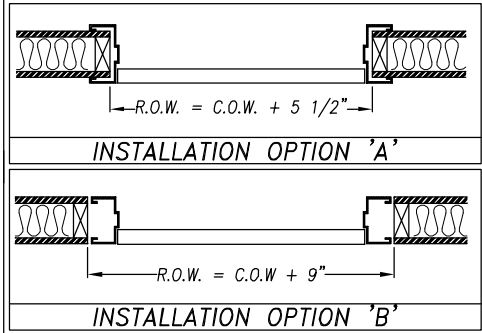


WINDOW OPTIONS

DIMENSIONS SHOWN ARE FOR VIEWING SIZES ONLY
WINDOW ROUGH OPENING = VIEWING SIZE + 2 5/8"



INSTALLATION OPTION



HARDWARE

HINGES	
LOCKSET	
HANDLE	
CLOSER	
HOLD OPEN	
THRESHOLD	
KICKPLATE	
SEALS	

NOTES: _____

DOOR SPECIFICATIONS

PROJECT:		TYPE:
SUBMITTED BY:	DATE:	ISSUE:
APPROVED BY:	DATE:	DRAWING No.:
SHEET:		

Noise Barriers, LLC
 2001 Kelley Court
 Libertyville, IL 60048
 Phone: 847-843-0500
 Fax: 847-843-0501
 www.noisebarriers.com