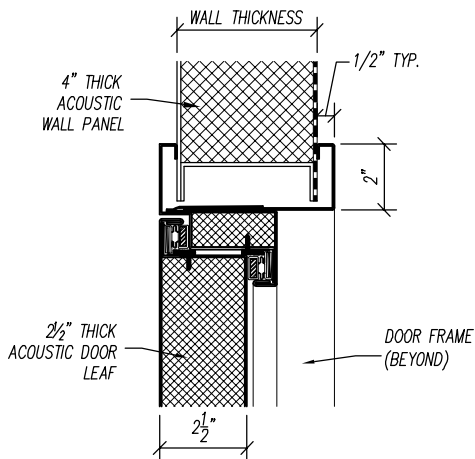
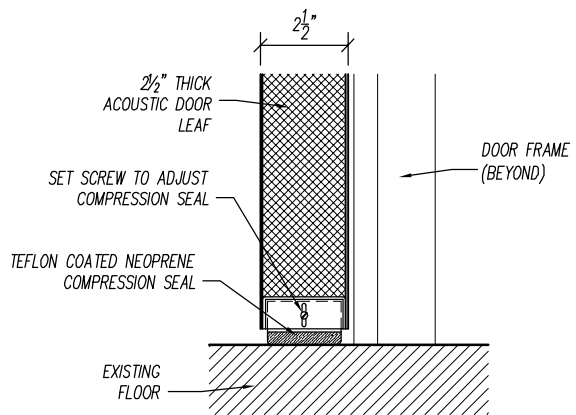


JAMB DETAIL



HEAD DETAIL



SILL DETAIL

STC-48 DL-DOOR  
 INSTALLATION OPTION: A  
 DETAIL @ 4" THICK  
 ACOUSTIC PANEL

PROJECT:		TYPE:
SUBMITTED BY:	DATE:	ISSUE:
APPROVED BY:	DATE:	DRAWING No.:
SHEET:		

**Noise Barriers, LLC**  
 2001 Kelley Court  
 Libertyville, IL 60048  
 Phone: 847-843-0500  
 Fax: 847-843-0501  
 www.noisebarriers.com