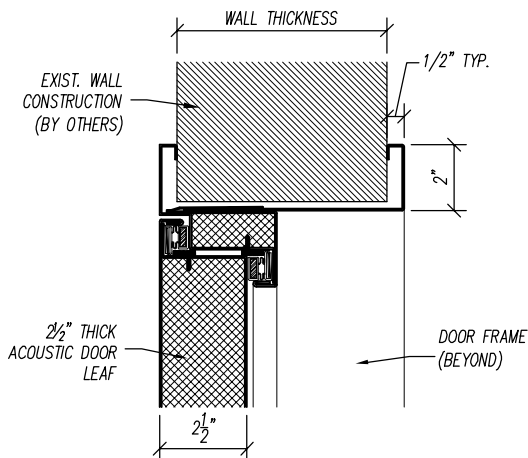
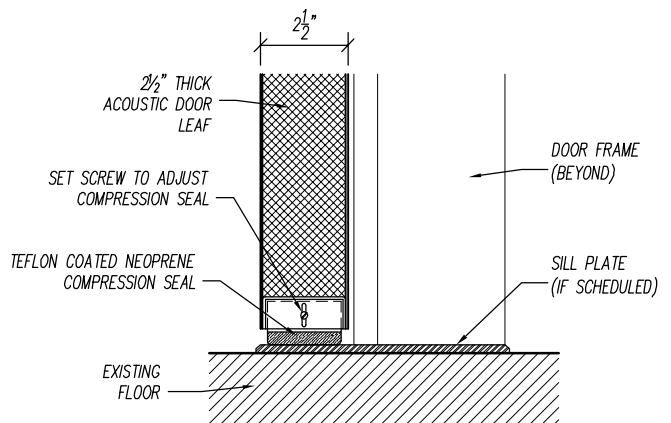


JAMB DETAIL



HEAD DETAIL



SILL DETAIL

STC-45 DL-DOOR
INSTALLATION
OPTION: A

PROJECT:		TYPE:	
SUBMITTED BY:	DATE:	ISSUE:	
APPROVED BY:	DATE:	DRAWING No.:	
SHEET:			

Noise Barriers, LLC
201 Kelley Court
Libertyville, IL 60048
Phone: 847-843-0500
Fax: 847-843-0501
www.noisebarriers.com