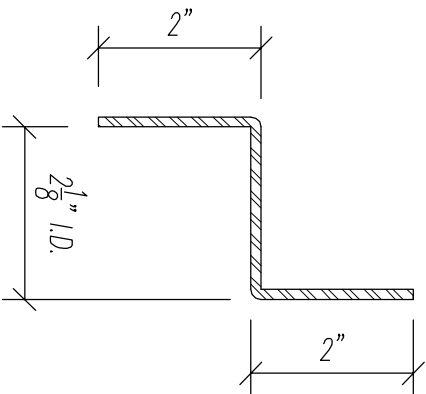


18 GA. BOT. 'J' CHANNEL

QTY. () @ 120" LONG



18 GA. TOP 'Z' CHANNEL

QTY. () @ 120" LONG

SIZE: SEE PROFILE x 120" LONG

MAT'L: G-90 GALVANIZED A-60 GALVANNEAL

FINISH: UNFINISHED POWDER COATED,
COLOR: _____

QUANTITY: _____

REVISIONS		DESCRIPTION	
DESCRIPTION	DATE	BY	

PROJECT		DESCRIPTION	
NB-II TOP & BOT. MOUNTING CHANNELS		NB-II TOP & BOT. MOUNTING CHANNELS	
DRAWN BY	SCALE	DRAWING NO.	
DATE	SHEET	NB-II-3	

 Noise Barriers, LLC	
2001 Kelley Court, Libertyville, IL 60048 Phone: 847-843-0500 Fax: 847-843-0501 www.noisebarriers.com	