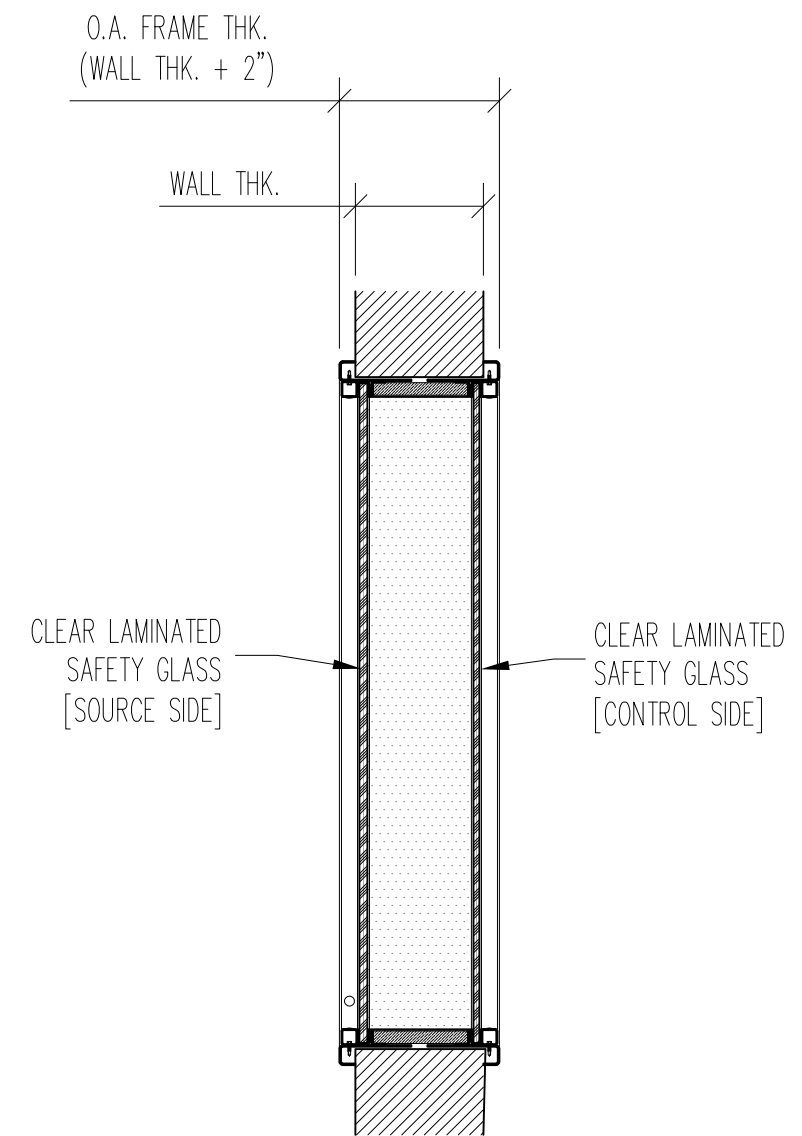


WINDOW ELEVATION



SECTION A-A


WINDOW #	QTY.	VIEWING SIZE		FRAME SIZE			ROUGH OPENING			GLASS DESCRIPTION @ SOURCE SIDE				GLASS DESCRIPTION @ CONTROL SIDE			
		WIDTH	HEIGHT	WIDTH	HEIGHT	THROAT	WIDTH	HEIGHT	THK.	WIDTH	HEIGHT	THICKNESS	TYPE	WIDTH	HEIGHT	THICKNESS	TYPE

QUIETLITE SPLIT-FRAME ACOUSTIC WINDOW

PROPRIETARY
 THIS DESIGN AND DRAWING IS THE EXCLUSIVE PROPERTY OF NOISE BARRIERS AND IS SUBMITTED AS CONFIDENTIAL INFORMATION IN CONNECTION WITH YOUR INQUIRY. IT MUST NOT BE USED FOR ANY OTHER PURPOSES, NOR CAN IT BE COPIED OR LOANED WITHOUT WRITTEN PERMISSION. UPON REQUEST IT MUST BE RETURNED IMMEDIATELY.

REVISIONS	DESCRIPTION	DATE	BY

DESCRIPTION		
QUIETLITE SPLIT-FRAME ACOUSTIC WINDOW		
CUSTOMER		
DRAWN BY	PRJ. MGR.	PROJECT NO.
DATE	SHEET	WS-1



NOISE BARRIERS
 401 AIRPORT DRIVE
 NORTH AURORA, IL 60532
 Phone: (847) 843-0500
 Fax: (847) 843-0501
www.noisebarriers.com