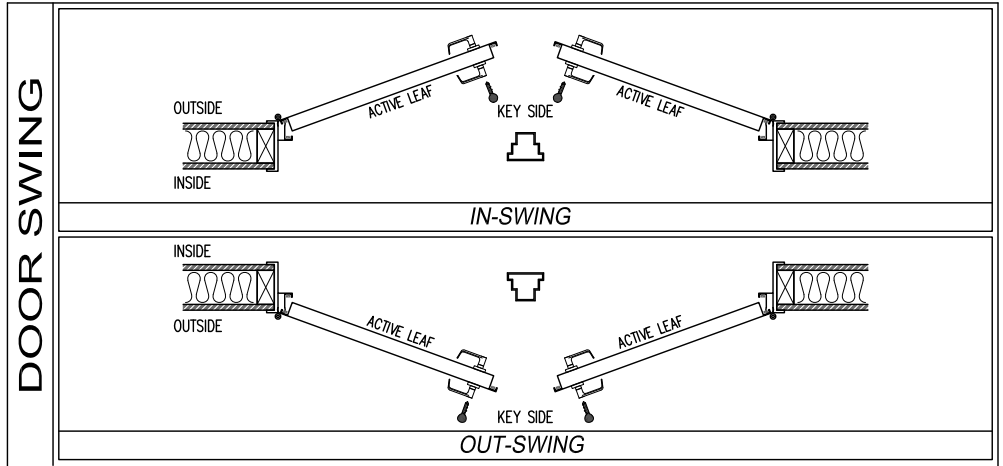
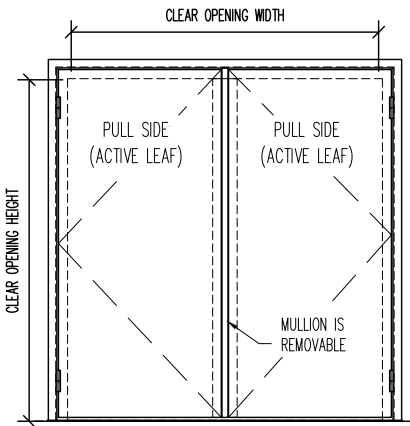


PROJECT NAME: \_\_\_\_\_ CUSTOMER: \_\_\_\_\_

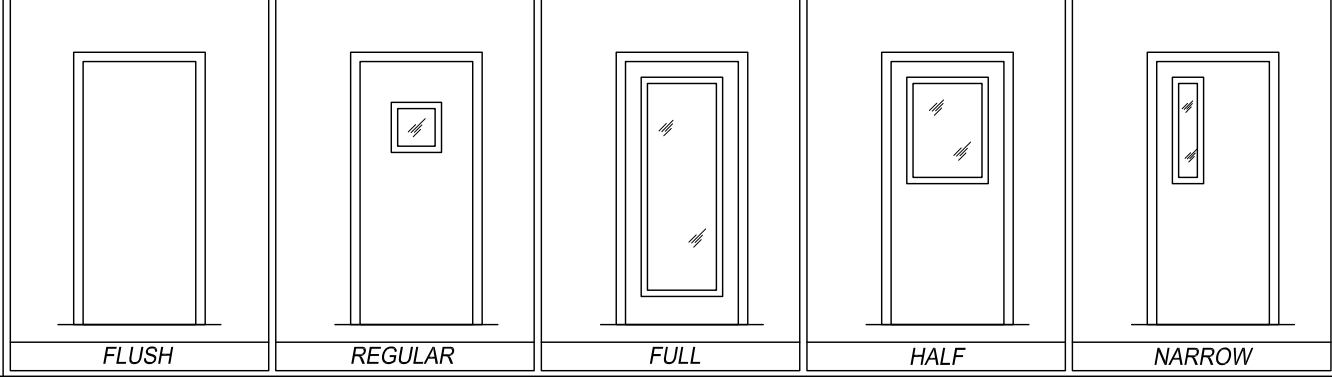
APPLICATION:  INTERIOR  EXTERIOR FINISH: \_\_\_\_\_ NB JOB #: \_\_\_\_\_

## DOUBLE-LEAF DOOR SPECIFICATIONS

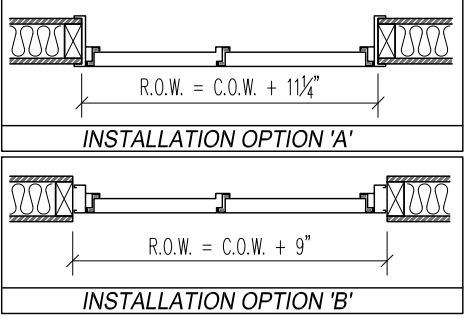
| DOOR No. | DOOR SWING<br>(ACTIVE LEAF) | WINDOW OPTION |          | INSTALLATION<br>OPTION | CLEAR OPENING<br>WIDTH | CLEAR OPENING<br>HEIGHT | ROUGH OPENING<br>WIDTH | ROUGH OPENING<br>HEIGHT | THROAT<br>DIMENSION |
|----------|-----------------------------|---------------|----------|------------------------|------------------------|-------------------------|------------------------|-------------------------|---------------------|
|          |                             | ACTIVE        | INACTIVE |                        |                        |                         |                        |                         |                     |
|          |                             |               |          |                        |                        |                         |                        |                         |                     |



**WINDOW OPTIONS**



**INSTALLATION OPTION**



### HARDWARE SCHEDULE

|                       |   |          |
|-----------------------|---|----------|
| HINGES                | NBL-CLH-100 OFFSET CAM-LIFTING HINGES (QTY. (2) PER LEAF / FINISH: DULL SILVER) | QTY. 4   |
| DOOR BOTTOM           | MFG. STANDARD TEFLON COATED COMPRESSION SEAL                                    | QTY. 2   |
| HD/JMB/ASTRAGAL SEALS | MFG. STANDARD DOUBLE MAGNETIC SEALS   | As Req'd |
| THRESHOLD             | ONE-PIECE 1/4" ALUMINUM SILL PLATE  | QTY. 1   |
|                       |   |          |
|                       |   |          |
|                       |   |          |
|                       |   |          |
|                       |   |          |

NOTES: \_\_\_\_\_

**STC-52 DOUBLE-LEAF DOOR  
W/ REMOVABLE MULLION  
SPECIFICATIONS**

|               |             |              |  |
|---------------|-------------|--------------|--|
| PROJECT:      |             | TYPE:        |  |
| SUBMITTED BY: | DATE:       | ISSUE:       |  |
| APPROVED BY:  | DATE:       | PROJECT No.: |  |
| PROJ. MGR.    | SHEET: DS-4 |              |  |

**NOISE BARRIERS**  
401 AIRPORT DRIVE  
NORTH AURORA, IL 60532  
Phone: (847) 843-0500  
Fax: (847) 843-0501  
www.noisebarriers.com