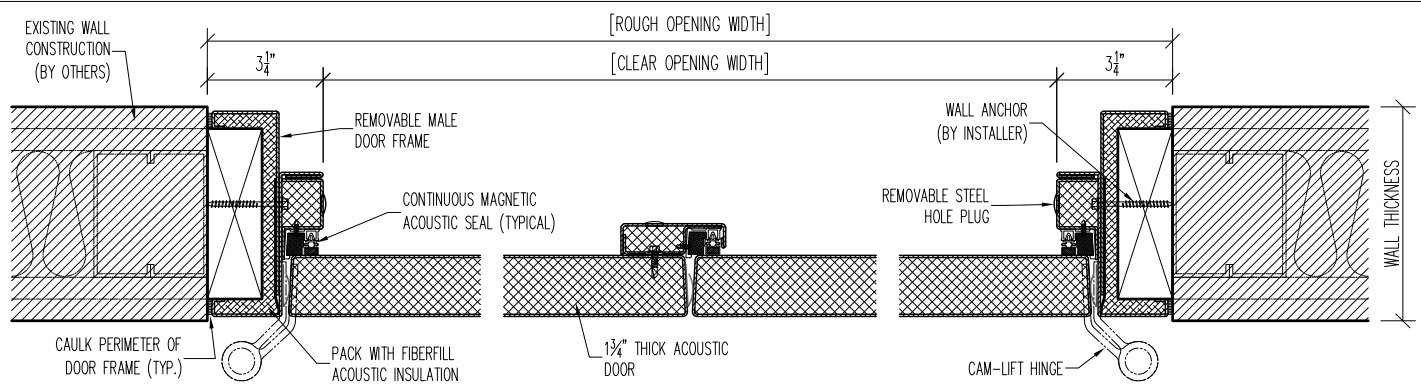
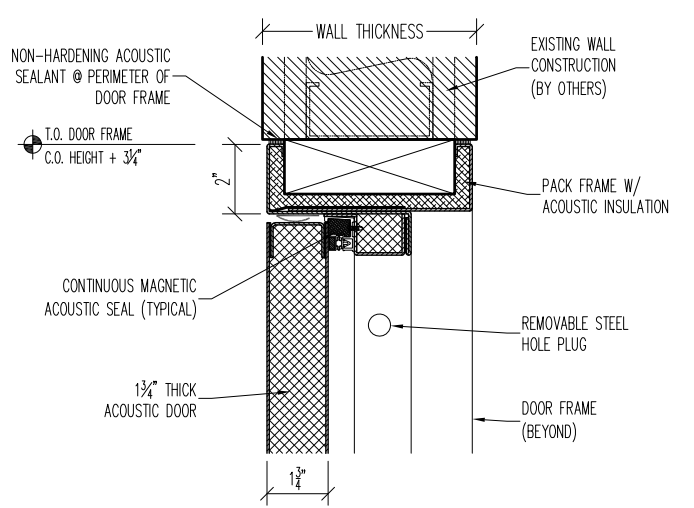


**AS SHOWN @ DOORS**

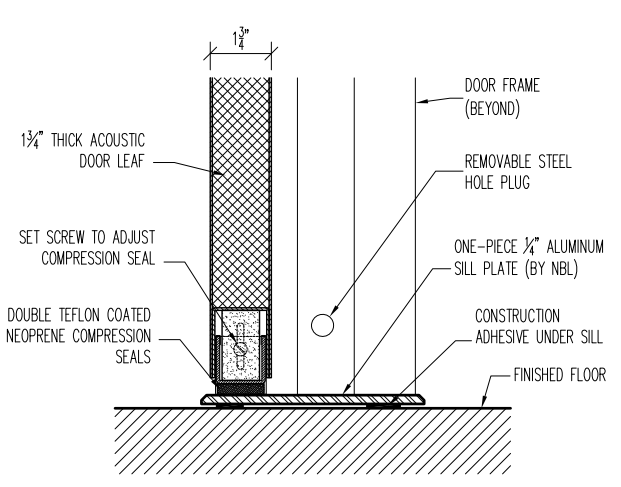

**OPP. HAND @ DOORS**

**1 JAMB DETAIL**



**3 SILL DETAIL**



**2 HEAD DETAIL**

**STC-45 DOOR  
TYPE 'B'  
INSTALLATION DETAILS**

PROJECT:		TYPE:
SUBMITTED BY:	DATE:	ISSUE:
APPROVED BY:	DATE:	PROJECT No.:
PROJ. MGR.	SHEET:	

**NOISE BARRIERS**  
401 AIRPORT DRIVE  
NORTH AURORA, IL 60532  
Phone: (847) 843-0500  
Fax: (847) 843-0501  
www.noisebarriers.com