

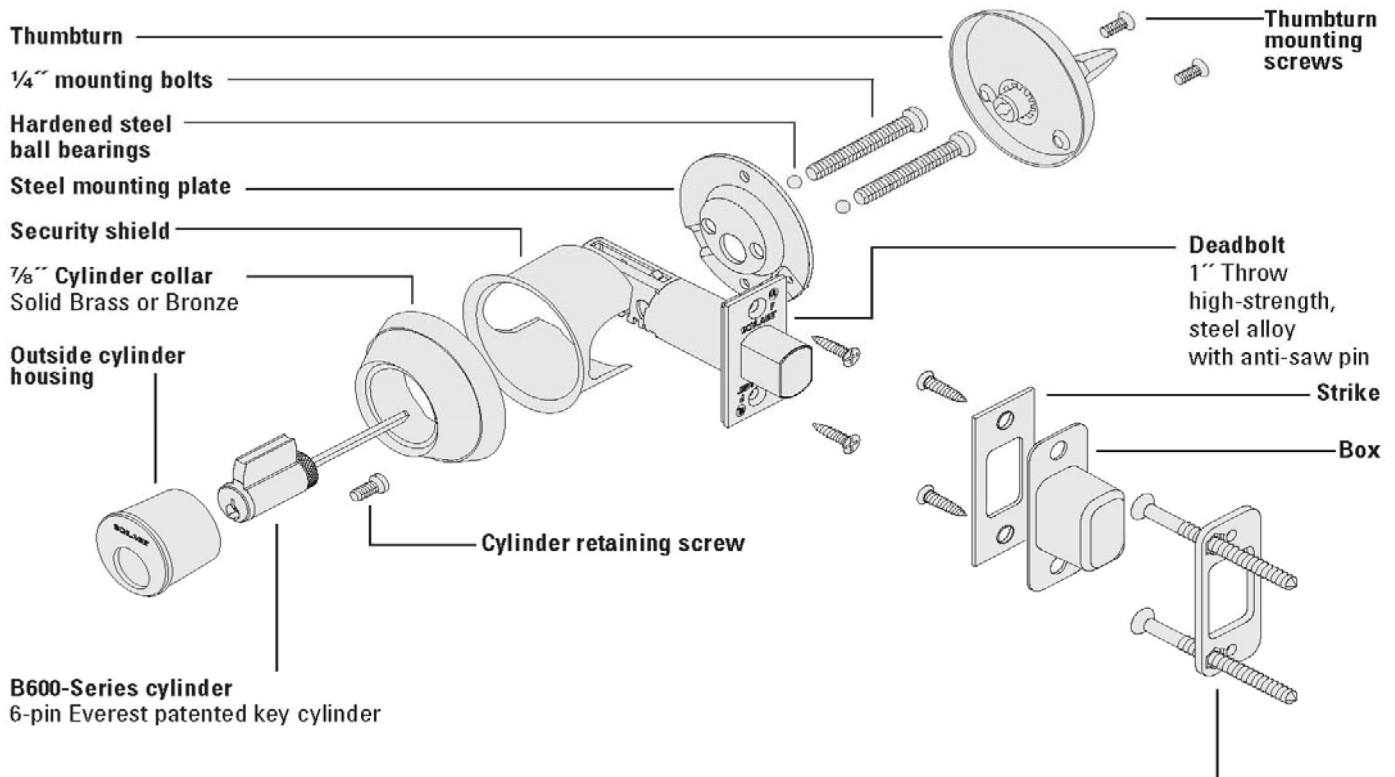


QuietSwing™ Sound Control Doors

Door Hardware - Dead Bolt

Page 1

B660P



Performance Features

1" (25 mm) throw high-strength steel alloy deadbolt with hardened steel roller resists sawing and kick-in attacks.

Precision-built solid brass 6-pin cylinders with phosphor bronze springs and nickel silver pins ensure long life and smooth operation.

Tough nickel silver keys for smooth, long lasting operation.

Exclusive wood frame reinforcer protects wood jamb against kick-in attacks. Reinforcer is concealed under strike and is anchored to jamb by two 3" (76 mm) screws.

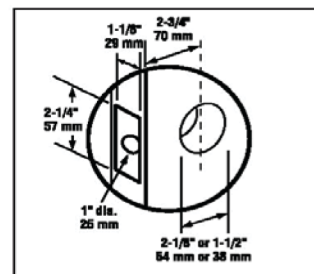
Free-spinning solid cylinder collar resists wrenching and prying.

Large inside thumbturn makes it easy to throw and retract deadbolt.

Metal shield protects bolt from ice-pick attack through door.

Hardened steel balls protect mounting bolts from drill attack.

Door Preparation





See templates.

QuietSwing™ Sound Control Doors

Door Hardware - Dead Bolt, Page 2

Deadbolt: Function

ANSI A156.5 BORED DEADBOLT LOCKS

	 Single Cylinder Deadlock	 Double Cylinder Deadlock
Schlage	B660P B760P B860P	B662P* B762P* B862P*
ANSI	E2151 Deadbolt thrown or retracted by key outside or thumbturn inside.	E2141 Deadbolt thrown or retracted by key either side.

**Caution: Double cylinder locks on doors that are used for exits are a safety hazard in times of emergency. Schlage does not recommend double cylinder locks in these situations. Installation should comply with local life safety codes.*



NOISEBARRIERS.COM

Phone: (847) 843-0500 • Fax: (847) 843-0501