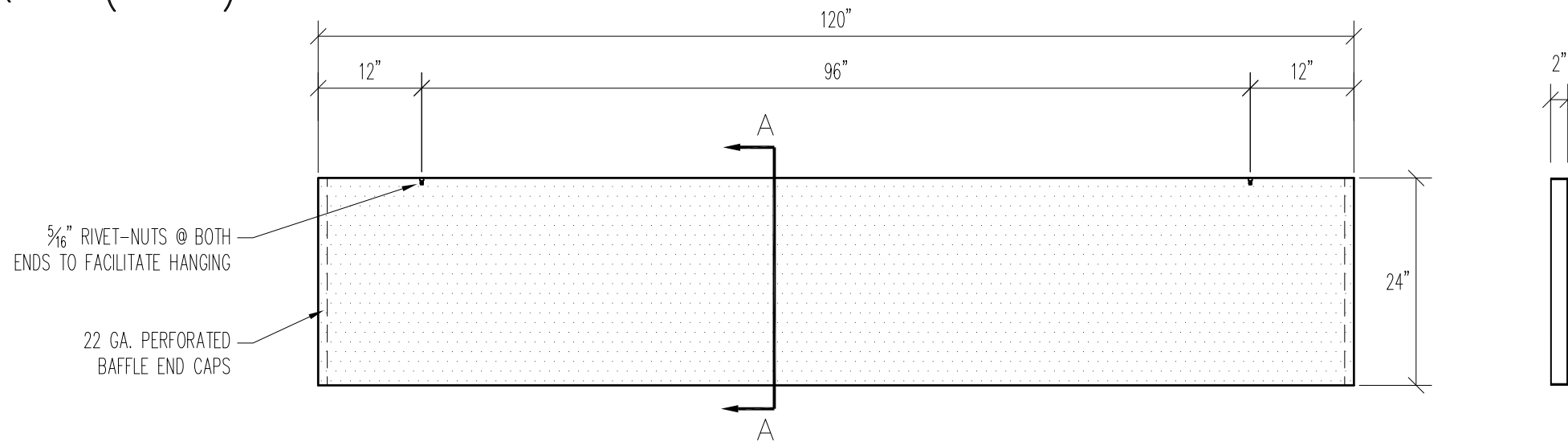
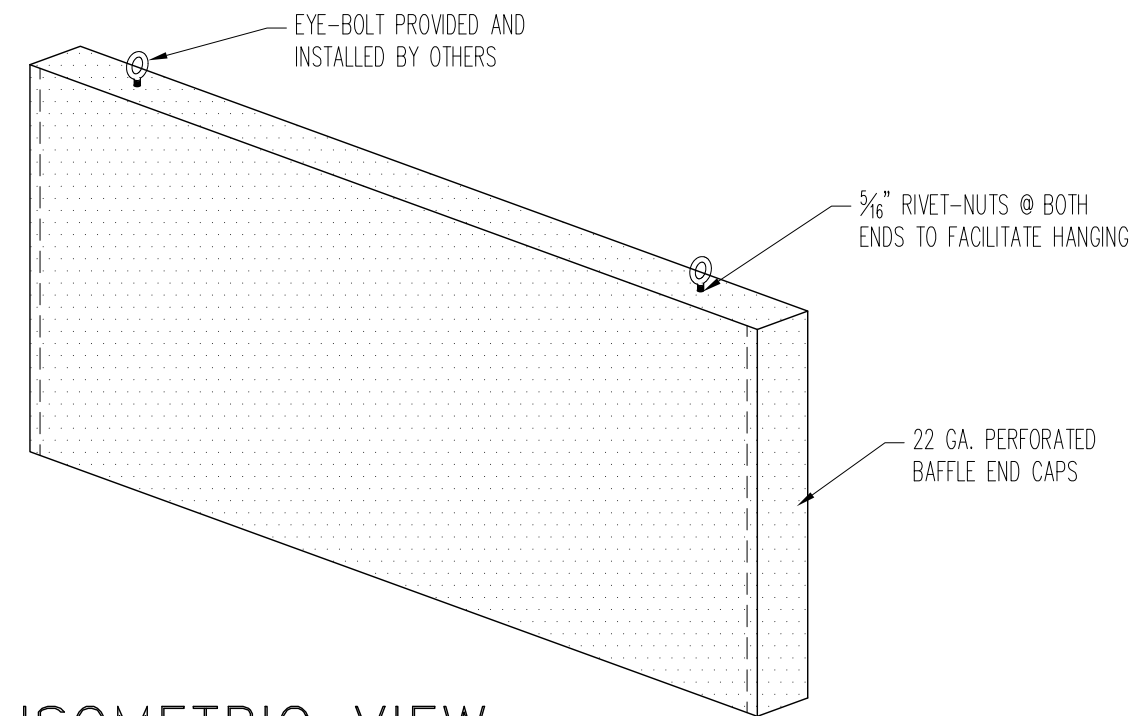


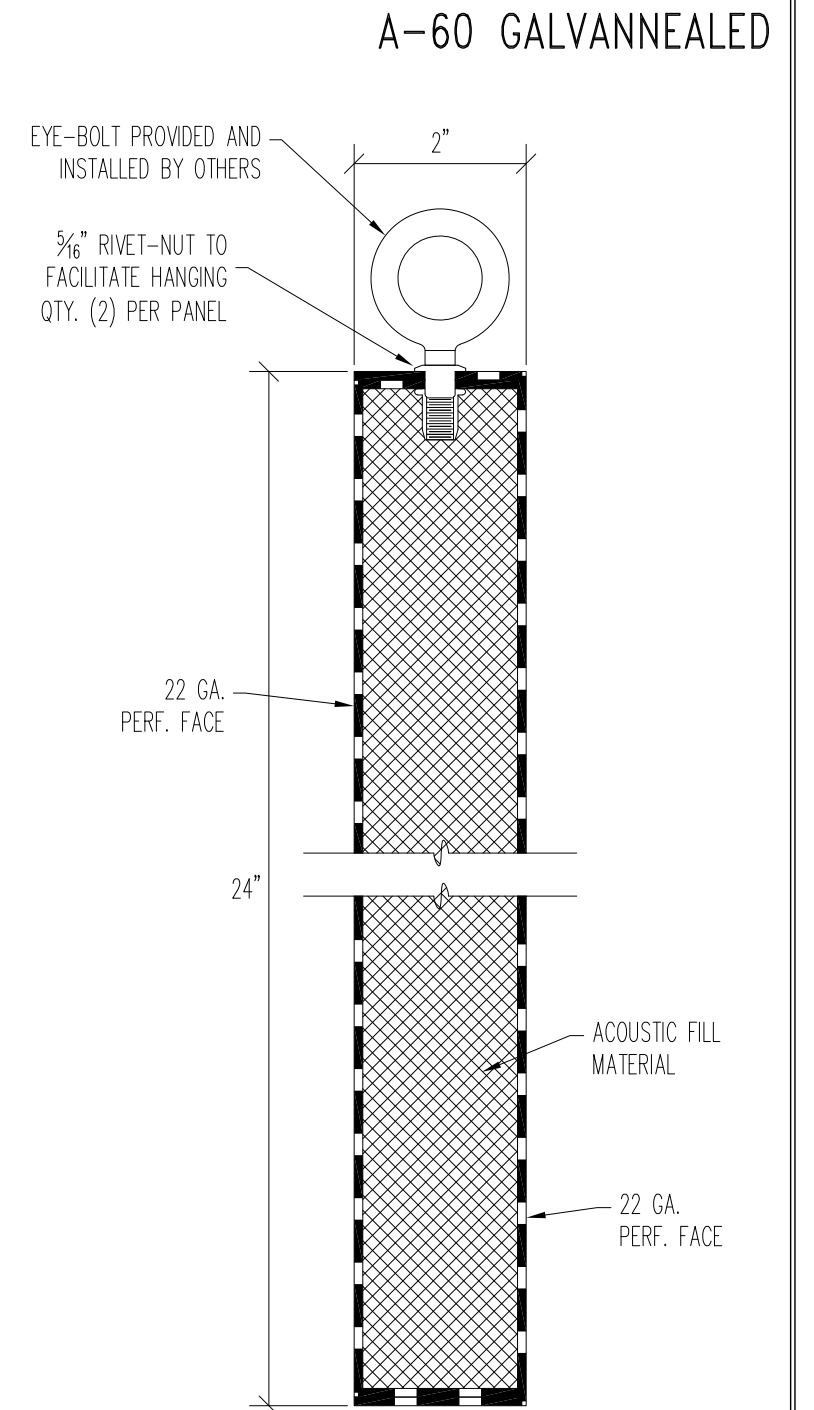
24"W x 120"L x 2"T ACOUSTIC BAFFLE PANEL  
 QTY. (1600)



ACOUSTIC BAFFLE PANEL  
 FRONT ELEVATION



ISOMETRIC VIEW



PANEL DETAIL


SECTION A-A

# BAFFLE PANEL DETAILS

**PROPRIETARY**  
 THIS DESIGN AND DRAWING IS THE EXCLUSIVE PROPERTY OF NOISE BARRIERS, LLC. AND IS SUBMITTED AS CONFIDENTIAL INFORMATION IN CONNECTION WITH YOUR INQUIRY. IT MUST NOT BE USED FOR ANY OTHER PURPOSES, NOR CAN IT BE COPIED OR LOANED WITHOUT WRITTEN PERMISSION. UPON REQUEST IT MUST BE RETURNED IMMEDIATELY.

REVISIONS	DESCRIPTION	DATE	BY

DESCRIPTION		
BAFFLE PANEL DETAILS		
CUSTOMER		
NOISE BARRIERS		
DRAWN BY	PROJ. MGR.	PROJECT NO.
DATE	SHEET	
	1 OF 2	



**NOISE BARRIERS**  
 401 AIRPORT DRIVE  
 NORTH AURORA, IL 60532  
 Phone: (847) 843-0500  
 Fax: (847) 843-0501  
 www.noisebarriers.com

**QUIETPERF**