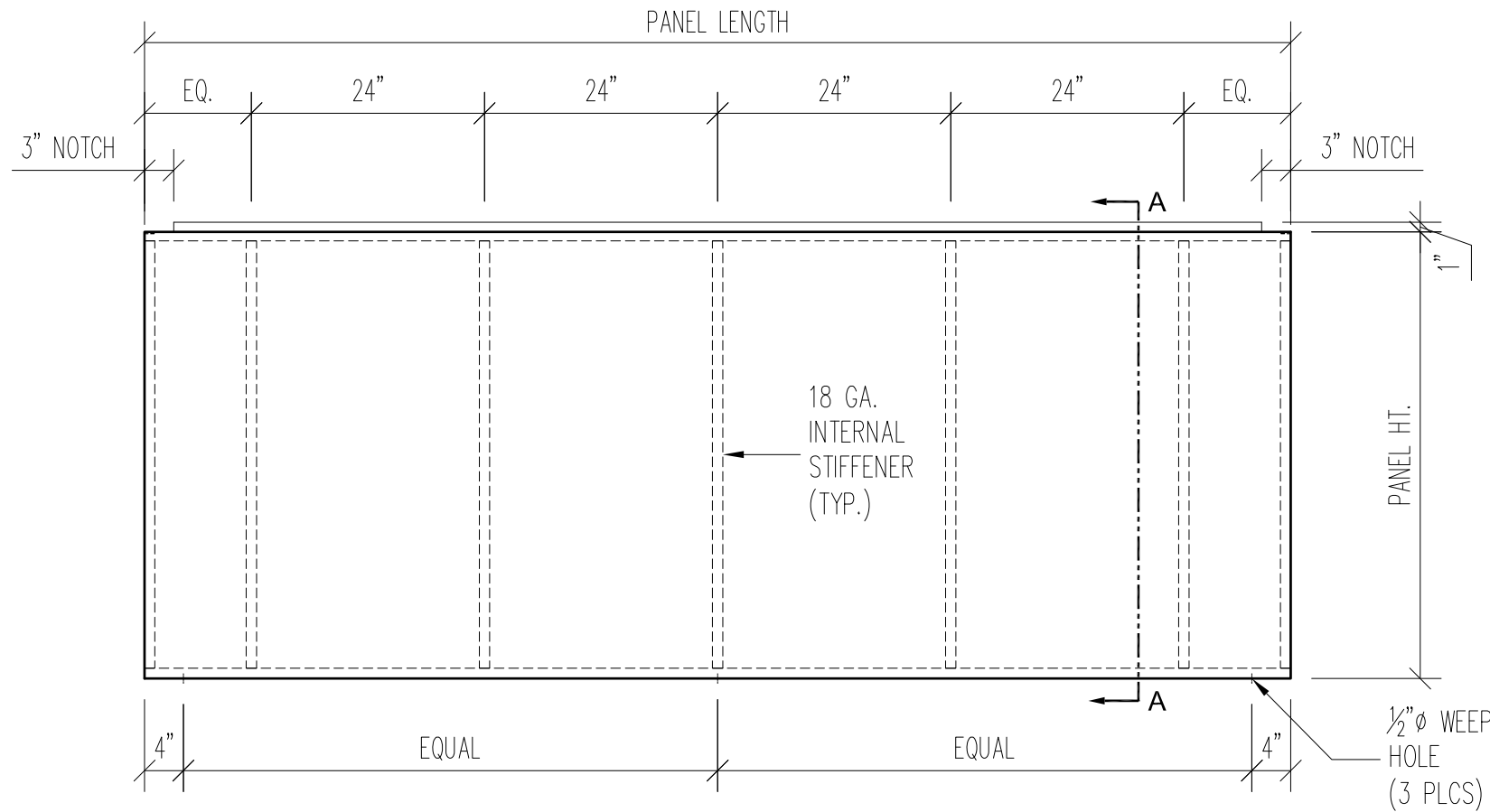
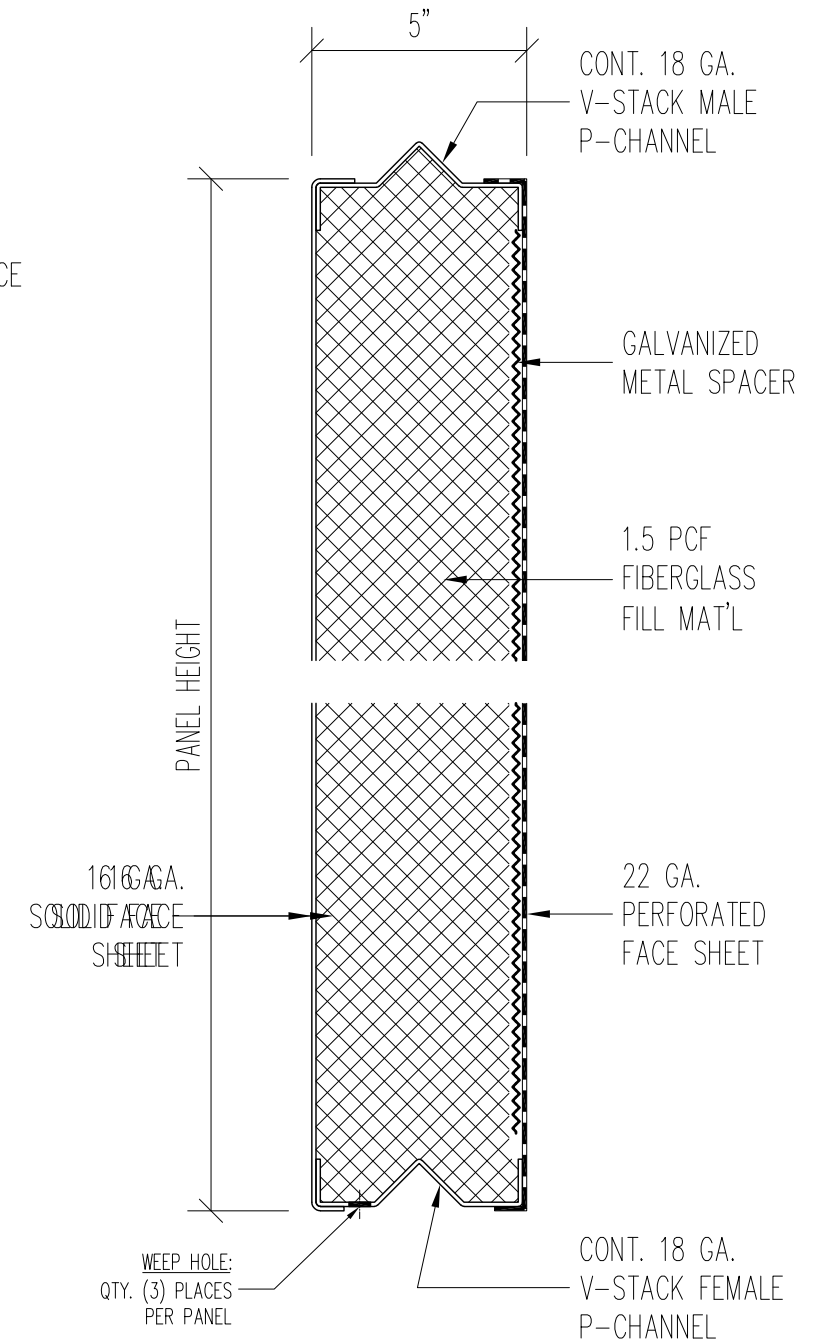
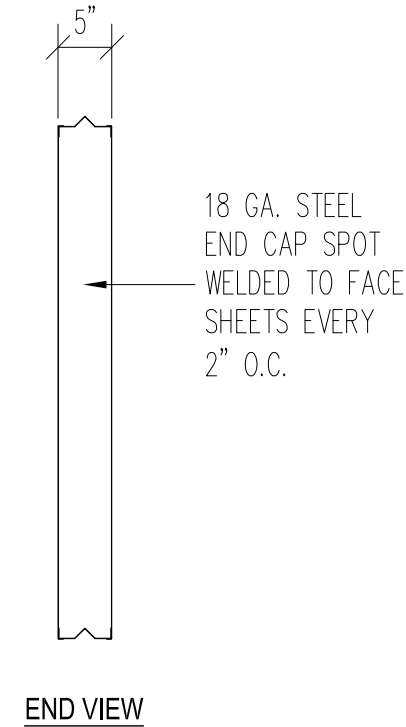


QUIETLINE 5" THICK V-STACK PANELS

MAT'L: G-90 GALVANIZED / FINISH: POWDER-COAT [RAL-XXXX SATIN]



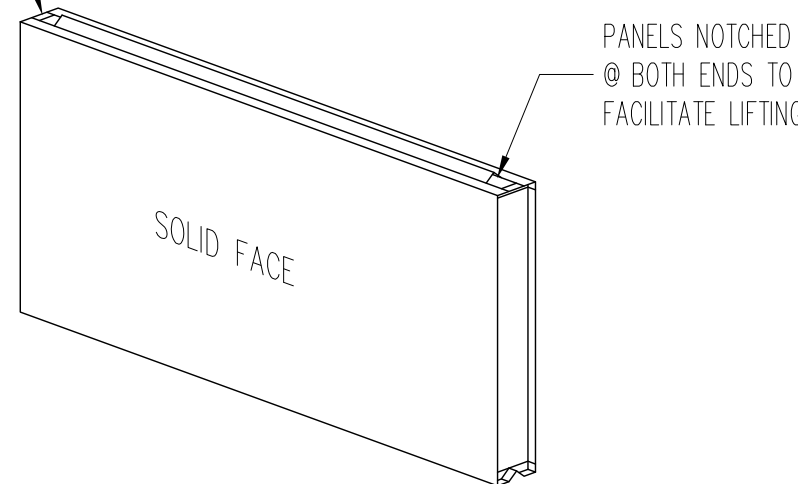
'V-STACK' BARRIER WALL PANEL
FRONT VIEW



PANEL SECTION DETAIL

5" THICK V-STACK BARRIER WALL PANEL			
PANEL MARK	QTY.	PANEL LENGTH	PANEL HEIGHT

1" WIDE STEEL STRAP SPOT WELDED @ ENDS TO MAINTAIN PANEL STRUCTURE



TOLERANCES
UNLESS OTHERWISE SPECIFIED, DIMENSIONS ARE IN INCHES
TOLERANCES:
FRACTIONAL: ± 1/16
ANGULAR: MACH ± .5° BEND ± .5°
TWO PLACE DECIMAL ± 0.040
THREE PLACE DECIMAL ± 0.005

PROPRIETARY
THIS DESIGN AND DRAWING IS THE EXCLUSIVE PROPERTY OF NOISE BARRIERS AND IS SUBMITTED AS CONFIDENTIAL INFORMATION IN CONNECTION WITH YOUR INQUIRY. IT MUST NOT BE USED FOR ANY OTHER PURPOSES, NOR CAN IT BE COPIED OR LOANED WITHOUT WRITTEN PERMISSION. UPON REQUEST IT MUST BE RETURNED IMMEDIATELY.

REVISIONS	DESCRIPTION	DATE	BY

DESCRIPTION		
QUIETLINE 5" THICK V-STACK PANELS		
CUSTOMER		
DRAWN BY	PROJ. MGR.	PROJECT NO.
DATE	SHEET	BUILD-X

NOISE BARRIERS
401 AIRPORT DRIVE
NORTH AURORA, IL 60532
Phone: (847) 843-0500
Fax: (847) 843-0501
www.noisebarriers.com