

CONSTRUCTION/ASSEMBLY NOTES:

- PANEL SURFACES:** SOLID STEEL FACE IS 16 GA. (MIN.). 14 GA. SOLID IS USED IF PANELS ARE OVER 12 FEET IN LENGTH. PERFORATED STEEL FACE IS 22 GA. (MIN.) WITH $\frac{3}{32}$ " HOLES ON $\frac{3}{16}$ " STAGGERED CENTERS. PANEL CONSTRUCTION IS AVAILABLE IN "PAINT READY" A-60 GALVANNEAL OR G-90 GALVANIZED STEEL.
- PANEL FILL:** HIGH DENSITY, SEMI-RIGID, NON-HYGROSCOPIC FIBERGLASS. THE MAXIMUM UNSUPPORTED HEIGHT OF FILL SHALL NOT EXCEEDS $2\frac{3}{4}$ ".
- FINISH:** THERMOSETTING TGIC POLYESTER POWDER COATING IN COLOR SELECTED BY ARCHITECT/CUSTOMER FROM STANDARD COLOR CHART SUPPLIED BY NOISE BARRIERS, LLC. COLOR TO BE: _____
- PANELS SHALL BE LOWERED CONSECUTIVELY BETWEEN VERTICAL WIDE FLANGED BEAMS. BARRIER WALL SHALL BE DESIGNED TO WITHSTAND WINDLOAD IN ACCORDANCE WITH THE SPECIFIED LOCAL CODE REQUIREMENTS OF THE PROJECT. REFER TO INSTALLATION DETAILS 'OPTION 1' & 'OPTION 2' FOR ALTERNATES.
- THE BARRIER PANEL ARE DESIGNED TO WITHSTAND WIND LOADS OF 40 POUNDS PER SQUARE FOOT, BOTH NEGATIVE AND POSITIVE.
- STRUCTURAL STEEL COLUMNS (IF SCHEDULED) CAN BE PROVIDED IN EITHER HOT-DIPPED GALVANIZED, PRIME PAINTED (STD. GREY), OR FINISH PAINTED IN COLOR TO MATCH PANELS.
- FINISHED PANEL WEIGHT = 5.5 lbs/sq.ft.

BARRIER PANEL ACOUSTIC PERFORMANCE

SOUND TRANSMISSION LOSS, dB

OCTAVE BAND CENTER FREQUENCIES (Hz)	125	250	500	1K	2K	4K	STC
QUIETLINE 'SL' PANEL (STEEL)	18	26	35	45	49	52	37

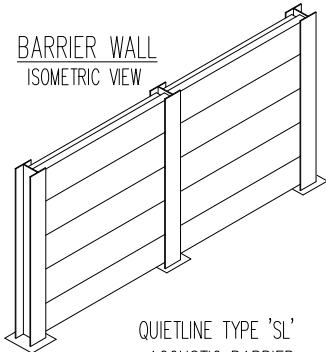
*All data in accordance with ASTM E90-99 and E413-87

SOUND ABSORPTION COEFFICIENTS

OCTAVE BAND CENTER FREQUENCIES (Hz)	125	250	500	1K	2K	4K	NRC
QUIETLINE 'SL' PANEL (STEEL)	0.92	1.15	1.22	1.13	1.08	1.04	0.95 (1.15)

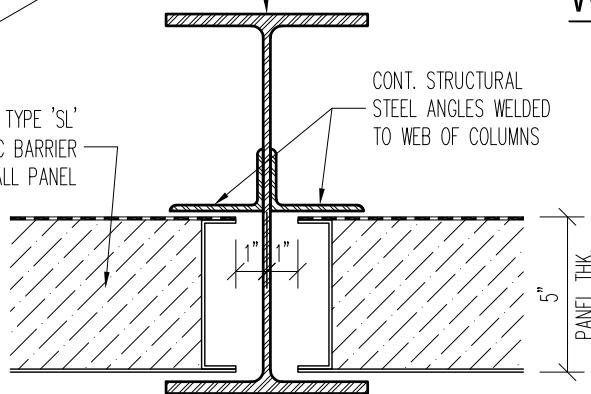
*All data in accordance with ASTM C423-90a and E795-00

BARRIER WALL ISOMETRIC VIEW



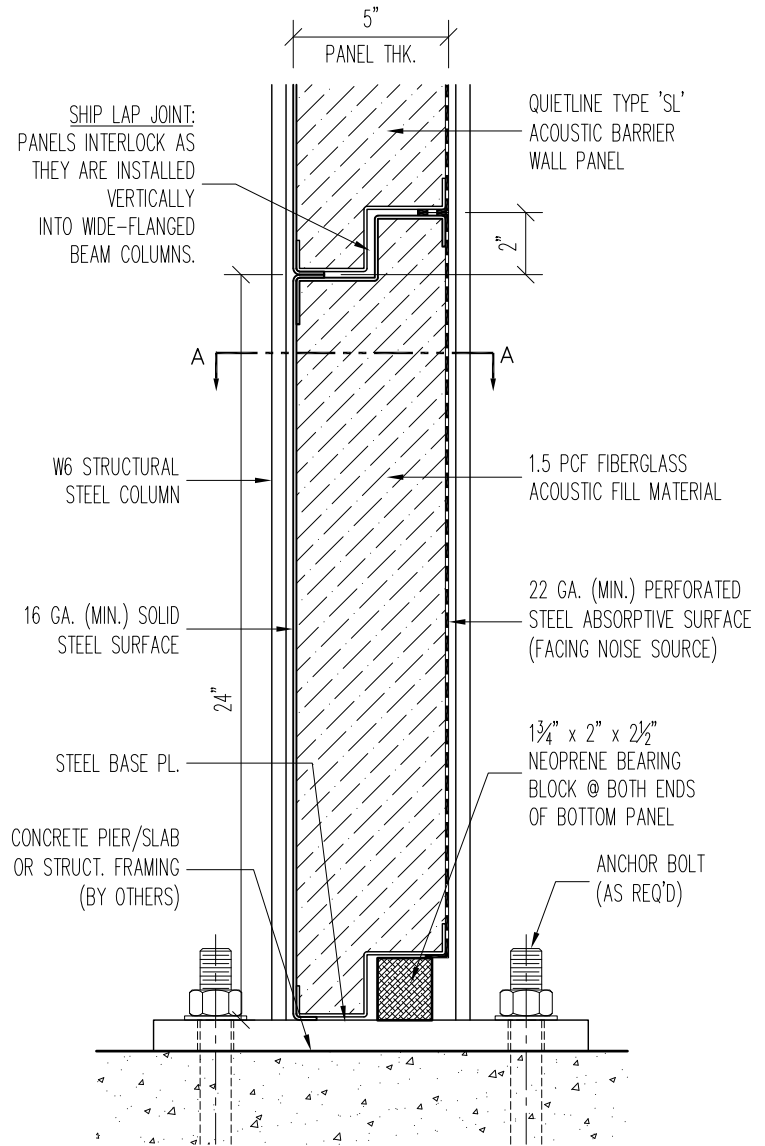
QUIETLINE TYPE 'SL' ACOUSTIC BARRIER WALL PANEL

WIDE-FLANGED STRUCTURAL STEEL COLUMN (SELECTED TO MEET WIND LOAD REQUIREMENTS)

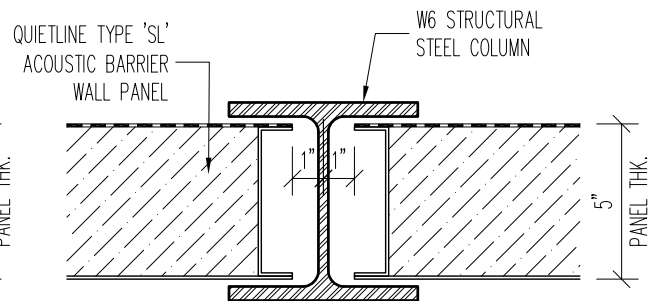


SECTION A-A - OPTION #2

WIDE FLANGED BEAM DETAIL FOR HIGH WIND LOADS, TALL WALLS, AND POST SPACING APPLICATIONS



WALL SECTION DETAIL



SECTION A-A - OPTION #1

WIDE FLANGED BEAM DETAIL FOR STANDARD APPLICATIONS

QUITELINE 'SL'
STEEL
BARRIER PANEL

PROJECT: NOISE BARRIERS STANDARD DETAILS

SUBMITTED BY:

DATE:

APPROVED BY:

DATE:

SHEET:

PROPRIETARY

THIS DESIGN AND DRAWING IS THE EXCLUSIVE PROPERTY OF NOISE BARRIERS, LLC. AND IS SUBMITTED AS CONFIDENTIAL INFORMATION IN CONNECTION WITH YOUR INQUIRY. IT MUST NOT BE USED FOR ANY OTHER PURPOSES, NOR CAN IT BE COPIED OR LOANED WITHOUT WRITTEN PERMISSION. UPON REQUEST IT MUST BE RETURNED IMMEDIATELY.



NOISE BARRIERS

401 AIRPORT DRIVE
NORTH AURORA, IL 60532
Phone: (847) 843-0500
Fax: (847) 843-0501
www.noisebarriers.com