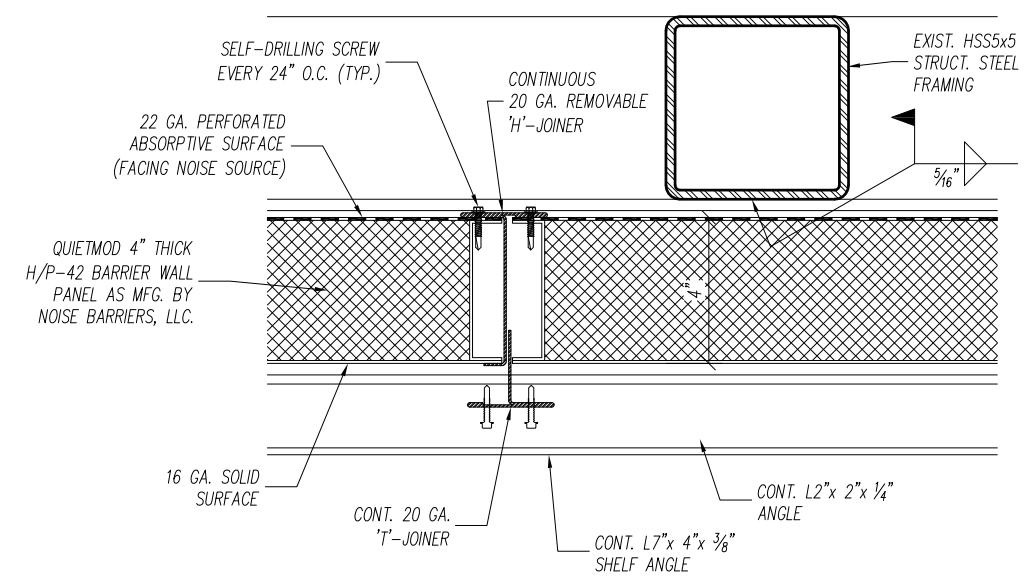


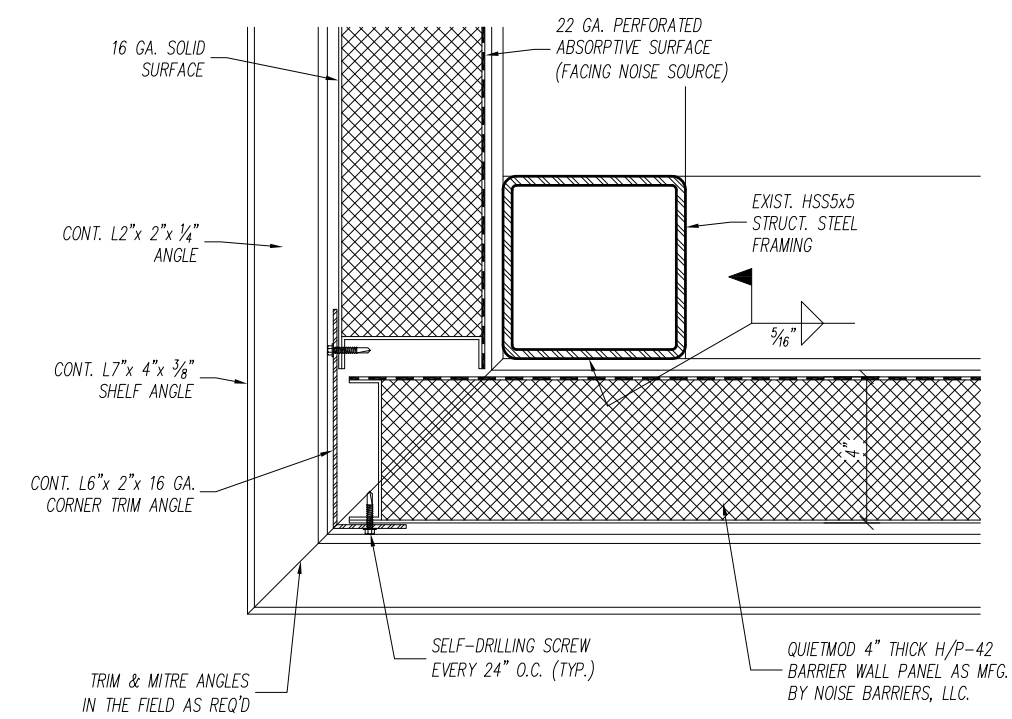
1  
4

**WALL SECTION DETAIL @  
QUIETLINE V-STACK PANELS**



2  
4

**DETAIL @ COLUMN**



3  
4

**DETAIL @ CORNER COLUMN**

**QUIETMOD H/P-42 ACOUSTIC PANEL NOTES:**

- 1.) **PANEL SURFACES:** SOLID FACE IS 16 GA. COLD ROLLED STEEL WITH A-60 GALVANNEAL COATING. PERFORATED FACE IS 22 GA. WITH 3/32" HOLES ON 3/16" STAGGERED CENTERS.
- 2.) **PANEL FILL:** NON-COMBUSTIBLE, SOUND ABSORBING FIBERGLASS
- 3.) **FINISH:** STD. FINISH IS "PAINT READY" GALVANNEAL. THERMOSETTING TGIC POLYESTER POWDER COATING IS AVAILABLE. COLOR TO BE SELECTED BY ARCHITECT/CUSTOMER FROM STANDARD COLOR CHART  
COLOR TO BE: \_\_\_\_\_

**BARRIER PANEL ACOUSTIC PERFORMANCE**

**SOUND TRANSMISSION LOSS, dB**

OCTAVE BAND CENTER FREQUENCIES (Hz)	125	250	500	1K	2K	4K	STC
QUIETMOD H/P-42 PANEL	23	31	40	49	56	62	42

*\*All data in accordance with ASTM E90-99 and E413-87*

**SOUND ABSORPTION COEFFICIENTS**

OCTAVE BAND CENTER FREQUENCIES (Hz)	125	250	500	1K	2K	4K	NRC
QUIETMOD H/P-42 PANEL	0.68	1.06	1.12	1.08	1.03	0.98	0.95 (1.05)

*\*All data in accordance with ASTM C423-90a and E795-00*

<p style="text-align: center;"><b>PROPRIETARY</b></p> <p style="font-size: 8px;">THIS DESIGN AND DRAWING IS THE EXCLUSIVE PROPERTY OF NOISE BARRIERS, LLC. AND IS SUBMITTED AS CONFIDENTIAL INFORMATION IN CONNECTION WITH YOUR INQUIRY. IT MUST NOT BE USED FOR ANY OTHER PURPOSES, NOR CAN IT BE COPIED OR LOANED WITHOUT WRITTEN PERMISSION. UPON REQUEST IT MUST BE RETURNED IMMEDIATELY.</p>	<p>REVISIONS</p>	<table border="1" style="width: 100%; border-collapse: collapse;"> <thead> <tr> <th>DESCRIPTION</th> <th>DATE</th> <th>BY</th> </tr> </thead> <tbody> <tr><td> </td><td> </td><td> </td></tr> <tr><td> </td><td> </td><td> </td></tr> <tr><td> </td><td> </td><td> </td></tr> <tr><td> </td><td> </td><td> </td></tr> <tr><td> </td><td> </td><td> </td></tr> <tr><td> </td><td> </td><td> </td></tr> </tbody> </table>	DESCRIPTION	DATE	BY																			<p><b>ACOUSTIC BARRIER WALL LAYOUT - ELEVS.</b></p> <p>CUSTOMER <b>MT. PROSPECT LIBRARY</b></p> <table border="1" style="width: 100%; border-collapse: collapse;"> <tr> <td>DRAWN BY</td> <td>PROJ. MGR.</td> <td>PROJECT NO.</td> </tr> <tr> <td> </td> <td> </td> <td> </td> </tr> <tr> <td>DATE</td> <td>SHEET</td> <td> </td> </tr> <tr> <td> </td> <td>1 OF 5</td> <td> </td> </tr> </table>	DRAWN BY	PROJ. MGR.	PROJECT NO.				DATE	SHEET			1 OF 5		<p><b>NOISE BARRIERS</b></p> <p style="font-size: 8px;">401 AIRPORT DRIVE NORTH AURORA, IL 60532 Phone: (847) 843-0500 Fax: (847) 843-0501 <a href="http://www.noisebarriers.com">www.noisebarriers.com</a></p>
DESCRIPTION	DATE	BY																																			
DRAWN BY	PROJ. MGR.	PROJECT NO.																																			
DATE	SHEET																																				
	1 OF 5																																				