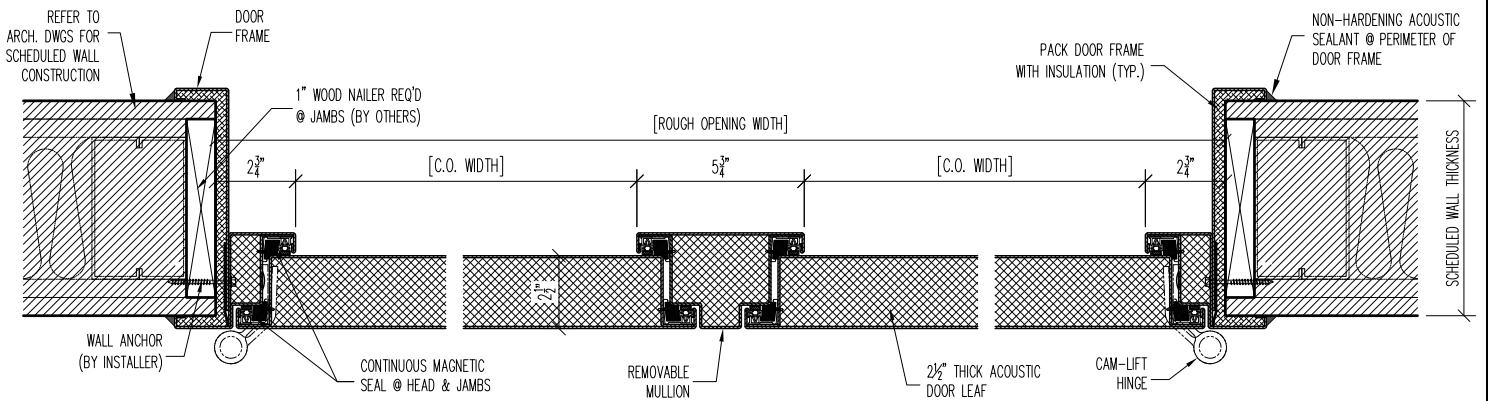
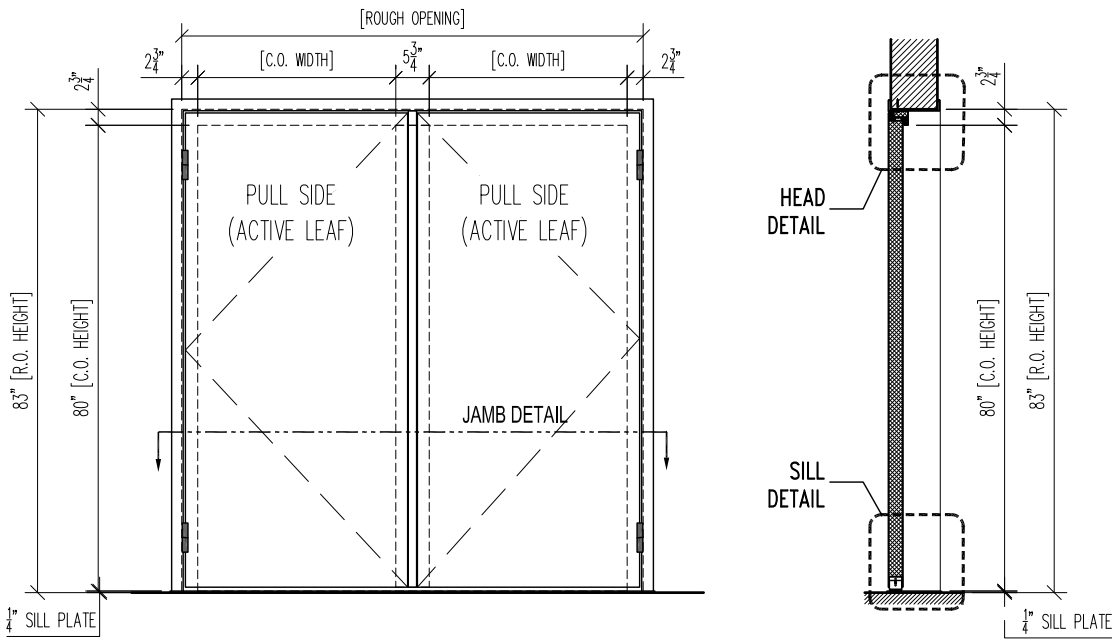
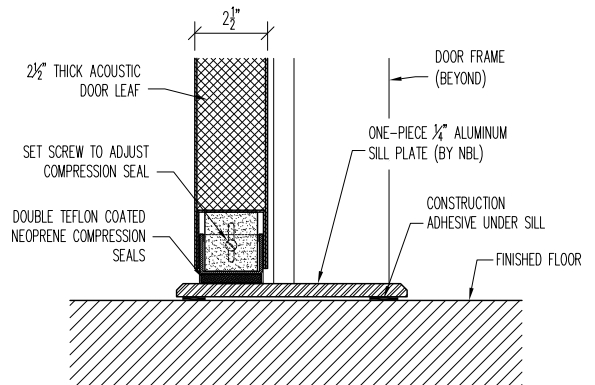
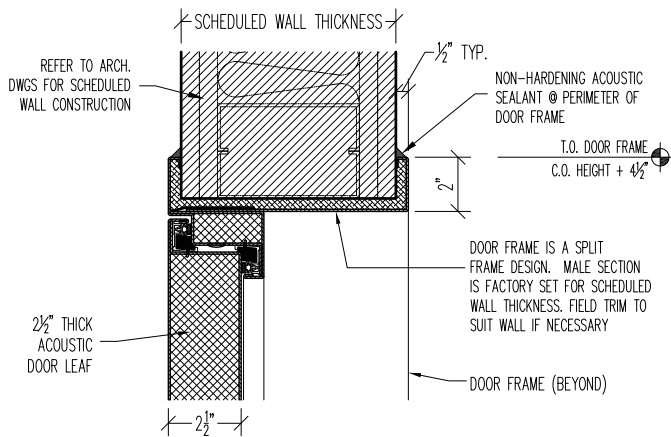


AS SHOWN @ DOORS

OPP. HAND @ DOORS



1 JAMB DETAIL



2 HEAD DETAIL

3 SILL DETAIL

STC-50 DOUBLE-LEAF DOOR
W/ REMOVABLE MULLION
INSTALL DETAILS

PROJECT:		TYPE:	
SUBMITTED BY:	DATE:	ISSUE:	
APPROVED BY:	DATE:	PROJECT No.:	
PROJ. MGR.	SHEET: DS-9		

NOISE BARRIERS

401 AIRPORT DRIVE
NORTH AURORA, IL 60532
Phone: (847) 843-0500
Fax: (847) 843-0501
www.noisebarriers.com